



12-24V LED  
Number Plate Lamp  
#H2559  
www.hella.com



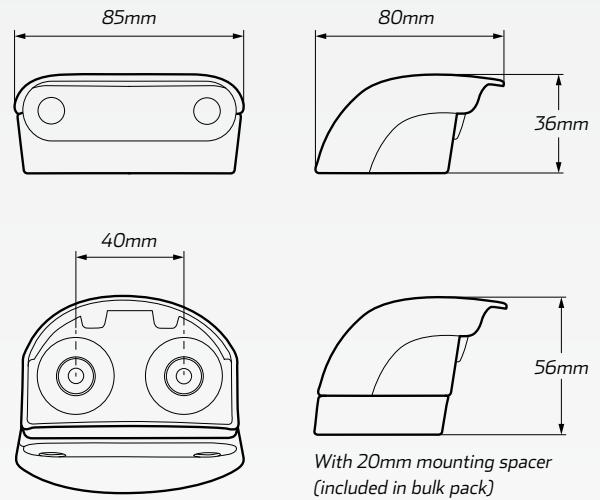
**DESCRIPTION**

12-24V LED number plate lamp.  
Conventionally designed for easy installation.  
Reverse polarity protected. IP6K6 & IP6K7 water & dust protection.  
Available as a bulk pack of 8 lamps. ADR approved.

**TECHNICAL SPECIFICATIONS**

<b>Voltage Range</b>	• 12-24 Volt
<b>Wattage</b>	• 0.4W @ 12V DC / 0.8W @ 24V DC
<b>Function</b>	• LED number plate lamp
<b>IP Rating</b>	• IP6K6 & IP6K7 rated
<b>Dimensions</b>	• 36mm H x 86mm W x 80mm D
<b>Mounting</b>	• Base mount, 40mm CTC
<b>Wiring</b>	• 500mm pre-wired multi core cable
<b>Approvals</b>	• ADR 48/00 (2 lamps required) • ECE R4/00

**DIMENSIONS**



**PART NUMBER**

Part Number.	Qty	Function	Description
H2559	1	• LED number plate lamp	• 1 x 12-24V LED number plate lamp. ADR approved (2 required for ADR compliance).
H2559BULK	8	• LED number plate lamp	• 8 x 12-24V LED number plate lamp. ADR approved. Includes 20mm mounting spacer.