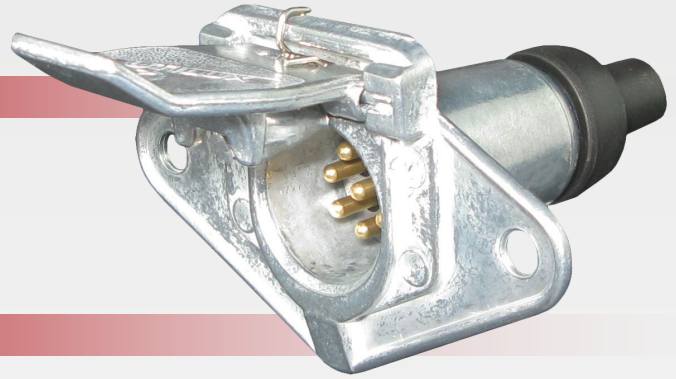


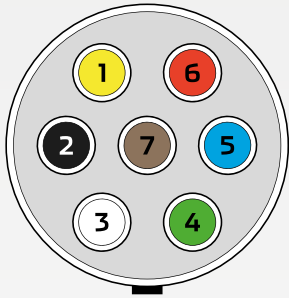
UTILUX 7 Pin Metal Trailer Socket
#H3515

DESCRIPTION

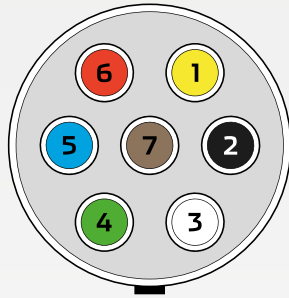
7 Pin small round trailer socket.
Rugged metal build with current rating of 15 Amps @ 12 Volt.
Suitable for use with 12-24 volt applications.



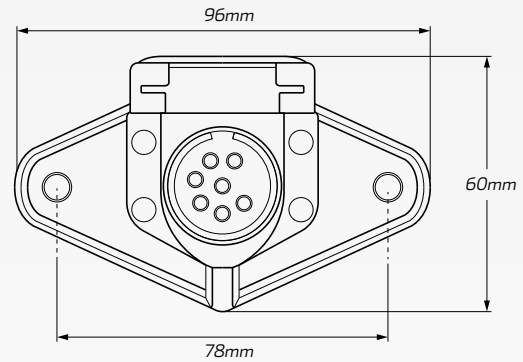
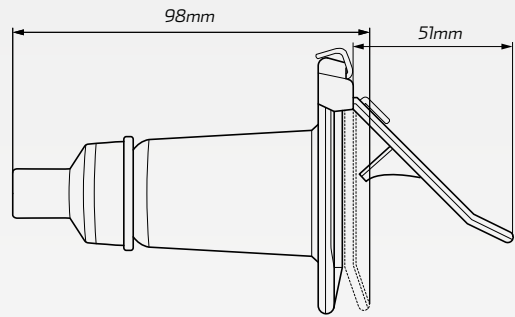
DIMENSIONS



7 pin Trailer Plug Entry
Cable Entry View



7 pin Trailer Socket Entry
Cable Entry View



No.	Description	Colour
1	• Left hand turn	• Yellow
2	• Reverse light	• Black
3	• Earth	• White
4	• Right hand turn	• Green
5	• Service Brakes	• Blue
6	• Stop lights	• Red
7	• Rear tail / clearance / marker lamps	• Brown

TECHNICAL SPECIFICATIONS

No. of Contacts	• 7 pin
Voltage	• 12 - 24 Volt
Wattage	• 15 Amps @ 12 Volt
Application	• 7-pin small trailer socket

Material	• Metal & brass pins
Contact Termination	• Screw contacts
Dimensions	• 98mm L x 96mm W x 60mm D
Mounting Hole	• 78mm CTC (+/- 2mm tolerance)