



12V Automatic 10A 7 Stage Battery Charger

#IC1000

www.projecta.com.au



DESCRIPTION

7 Stage Intelli-Charge battery chargers use intelligent electronics to monitor the charging process and deliver an advanced 7-stage charge to your battery. 7-stage charging is very comprehensive and accurate charging technique that gives your battery longer life and better performance compared to using traditional chargers.

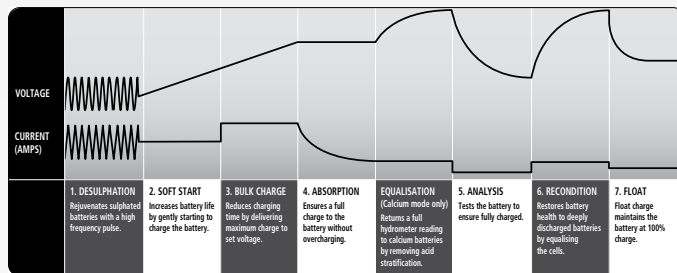
FEATURES

- Multi-stage (7 stage) battery charging system
- Multiple charging profiles to suit different battery types
- Programmable charging output for precise charging
- Alternate power supply mode
- Sealed and durable dust & shock proof
- Easy to read LED indicators and controls

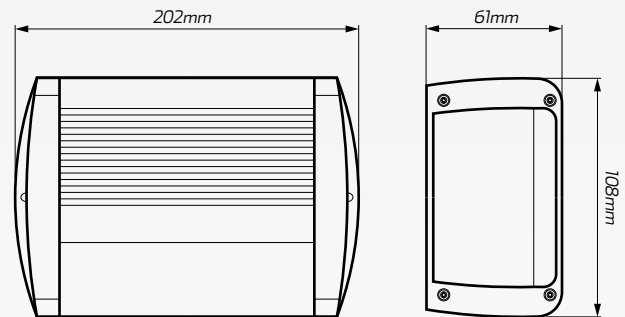
COMPRISES

- 1x 7 stage battery charger
- 1x Pre-wired output battery clips

7-STAGES DESCRIPTION



DIMENSIONS



TECHNICAL SPECIFICATIONS

Charger Type	• 7 Stage Automatic
Input Voltage	• 240 Volt AC, 50Hz, 160W
Output Voltage	• 12 Volt
Output Current	• 2, 4, 6, 10 Amps
Minimum Start Voltage	• 2.0 Volt
Back Drain	• 1mA

Approvals	• Electrical Safety, EMC
Battery Capacity	• Gel: 14.1V, AGM: 14.4V, Wet: 14.7V, Calcium: 15.4V
Automotive Charge Times	• 12V, Battery size: 80-1000CCA 6 - 12Hr charge time
Marine Charge Times	• 12V, Battery size: 110-1200MCA 8-15 hours charge time
Deep Cycle Times	• 12V, Battery size: 14-200Ah 6-20 hours charge time