

IONNIC | ICS Switch Panel Kit

#ICS-01L

www.ionnic.com

DESCRIPTION

- Developed to control lighting and other electronic automotive accessories
- Incorporates the latest in onboard circuit protection and monitoring technology
- Each output surge protected to 6A
- All switches can be set to latching or momentary
- Epoxy encapsulated receiver module for enhanced moisture and vibration protection
- Mounting point on back of switch panel - use with common 1/4" thread adjustable mounts (not included with the kit)
- 3 user configurable master switches
- Multiple outputs can be combined to allow switching of high current loads
- Multi-voltage with 8 outputs (6A each)
- Eliminates excess wiring
- Compact design, includes 4 overlay decals



KIT CONTENT:

- 1 x Switch panel
- 1 x Receiver module
- 1 x 4.5m cable
- 4 x overlay function decals
- Mounting screws & washers
- Double sided mounting tape

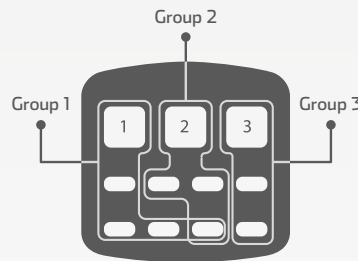
TECHNICAL SPECIFICATIONS



Mounting point on back of switch panel - use with common 1/4" thread adjustable mounts. Not supplied with mount.



Custom assign any number of buttons to one of the three master switches.



MASTER SWITCHES

The ICS switch panel features 3 user configurable master switches.

These switches can be used to link any combination of the 8 individual switches together to allow activation on multiple circuits via the switching of a single button.

Note: Individual switches can be connected to more than one master switch.

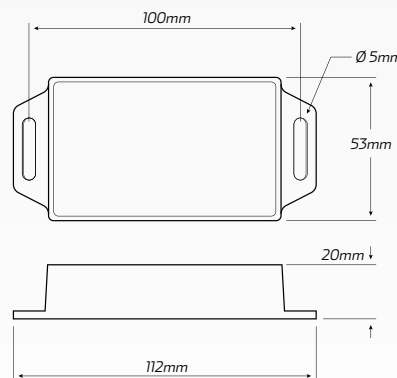


Potential Ford Ranger installation

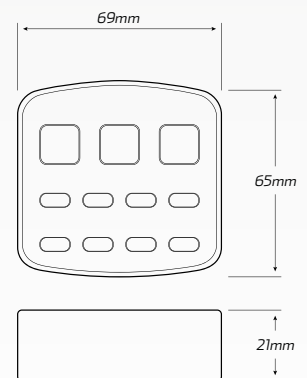


Potential Toyota Hilux installation

DIMENSIONS



Receiver Module



ICS Switch

The ICS switch panel are not compatible with halogen beacons/worklamps or items with high in-rush currents without the use of an additional relay.

Voltage	• 12 - 24 Volt
No. of Outputs	• 8 outputs (6A max per output)
Max. Output Rating	• 40 Amp total output current
Material	• ABS
Cable Length	• 4.5 meters
Operating Temp	• -40°C to 85°C