

**QVEE** 250A Insulated Terminal Stud  
AUTOMOTIVE | MINING | MARINE Sold Individually

www.qvee.com.au

**DESCRIPTION**

The JB3816 provides ground or power connection points for AC or DC circuits. The housing is constructed from hard wearing thermoplastic.

Ideal for vehicle electrical systems, transformers, communication and computer power sections.

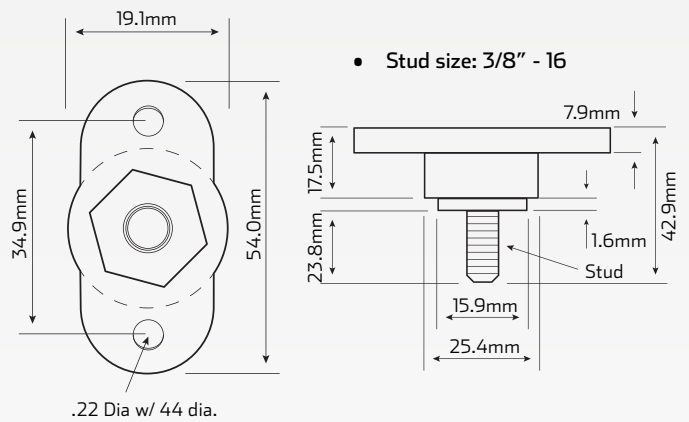
This heavy duty single stud is rated up to 250A.



**TECHNICAL SPECIFICATIONS**

Electrical Application	• AC / DC suitable
Termination Style	• Threaded stud
Thread/Stud Size	• 3/8" - 16
Housing Material	• Thermoplastic
Stud Material	• Zinc plated steel
Mounting Style	• Panel mount
Mounting Torque Rating	• 5.4Nm max
Accessories	• Nuts & washers provided

**DIMENSIONS**



\*Mounting bolts are not included.

**PART NUMBERS**

Part No.	Colour	Amperage	Mount	Description
JB3816	• Black	• 250 Amps	• Panel Mount	• 250 Amp heavy duty single insulated terminal stud - black housing
JB3816RD	• Red	• 250 Amps	• Panel Mount	• 250 Amp heavy duty single insulated terminal stud - red housing