

QVEE

AUTOMOTIVE | MINING | MARINE

Heavy Duty Black LED Pilot Lamp

Sold Individually

www.qvee.com.au



DESCRIPTION

12/24V LED continuous dome pilot light. 16mm diameter mount hole. IP67 rated.

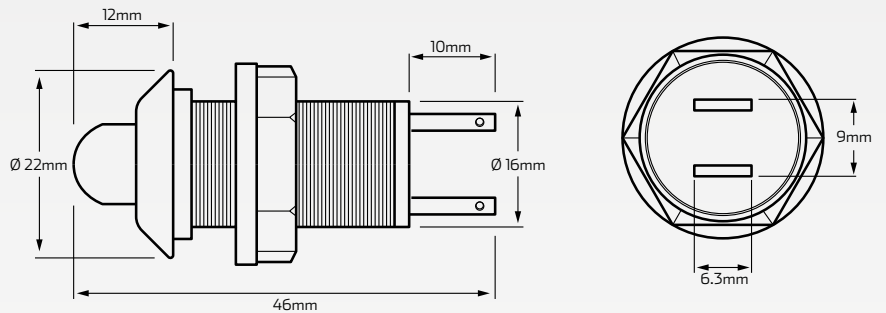
These lamps have a heavy duty construction and are suitable for extreme applications.



Epoxy filled electronics for added protection

FEATURES

- Continuous LED illumination
- Multi-voltage
- Epoxy filled electronics for enhanced moisture and vibration protection
- Reverse polarity protected
- Water and dustproof - IP67 rated
- Withstand extreme applications
- Made in Australia



TECHNICAL SPECIFICATIONS

Voltage	• 12 - 24 Volt (Except LEDPLTRI24)	Operating Temperature	• -24°C - 50° C
Material	• Polymer Body, Polycarbonate Lens	Mount	• Ø 16mm
Light Source	• LED (Continuous)	Max Panel Thickness	• 29mm
IP Rating	• IP67 Rated	Dimensions	• 46mm x 22mm

Part Number.	LED Colour	Description
LEDPLBMV	• Blue	• 12/24 Volt blue LED continuous pilot light. 16mm diameter mount hole. IP67 rated.
LEDPLGMV	• Green	• 12/24 Volt green LED continuous pilot light. 16mm diameter mount hole. IP67 rated.
LEDPLRMV	• Red	• 12/24 Volt red LED continuous pilot light. 16mm diameter mount hole. IP67 rated.
LEDPLYMV	• Yellow	• 12/24 Volt yellow LED continuous pilot light. 16mm diameter mount hole. IP67 rated.
LEDPLTRI24	• Tri-colour pilot light	• 24 Volt tri-colour LED continuous pilot light. 16mm diameter mount hole. IP67 rated.