



12V 85 Amp  
Continuous Duty Solenoid

Cole Hersee Co. #M24117B

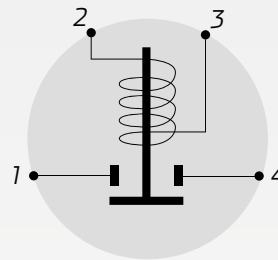
www.colehersee.com.au

**DESCRIPTION**

12V, 85A continuous duty solenoid with insulated earth stud and weatherproof PVC coating. 750A make and 100A break.

**FEATURES**

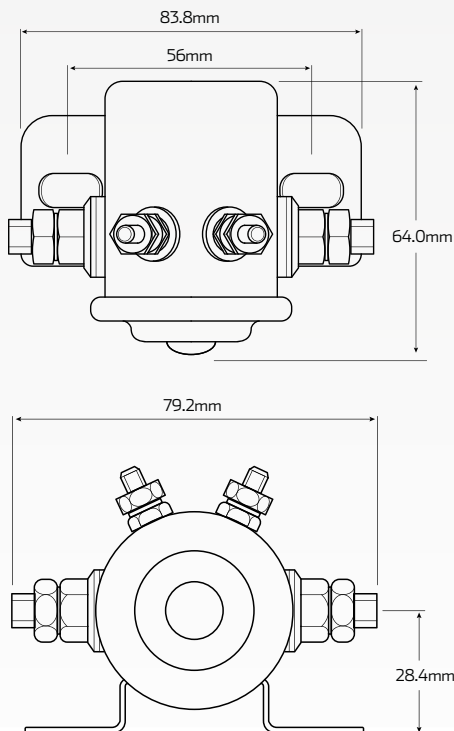
- Continuous duty solenoid
- SPST normally open (one circuit) OFF/ON
- Plated steel housing, hexnuts and washers included
- 4 stud, insulated earth stud
- Mount with brand cap facing "down"
- PVC coating, UL listed & ISO 8846 marine approved
- Copper contacts



**ELECTRICAL SCHEMATIC**

Caution: never unscrew the inner hexnuts on the studs. These keep the stud and inner wiring in place.

**TECHNICAL SPECIFICATIONS**



<b>Voltage</b>	• 12 Volt DC
<b>Amperage</b>	• 85 Amp continuous
<b>Circuitry</b>	• Single-Pole, Single-Throw (SPST)
<b>Contacts</b>	• Normally Open (NO)
<b>Housing Material</b>	• Plated steel, PVC coated
<b>Contact Terminals</b>	• Copper
<b>Battery Terminals</b>	• 5/16" - 24 threads
<b>Coil Studs</b>	• 10 - 32" threads
<b>Insulated / Grounded</b>	• Insulated
<b>Operating Temperature</b>	• -40°C to 85°C
<b>Bracket Mounting Holes</b>	• 7.9mm x 15.1mm, 56.0mm CTC