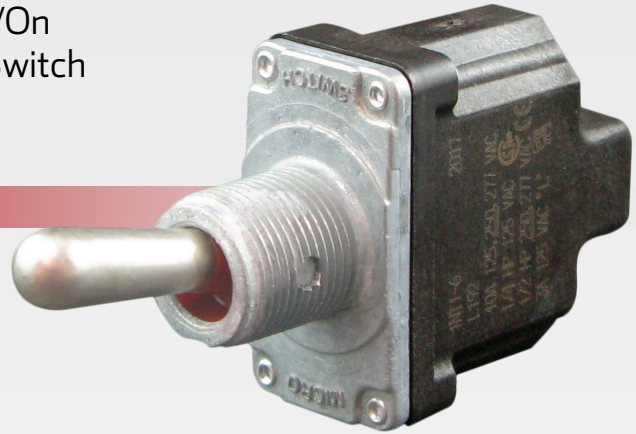


**QVEE**

AUTOMOTIVE | MINING | MARINE

www.qvee.com.au

DPDT On(Mom)/Off/On  
(Mom) Waterproof Switch  
#MTS302



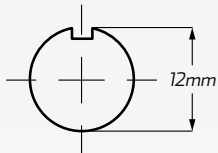
**DESCRIPTION**

12-24V DPDT On(Mom)/Off/On(Mom) weatherproof toggle switch with screw on terminals. Suitable for up to 250V AC operation. Dust & waterproof up to IP68 rating. UL recognised, CSA certified.  
Amperage: 10A @ 28 Volt.

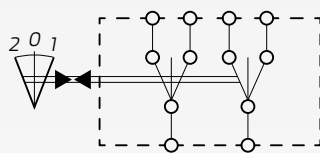
**DIMENSIONS**

- Screw on DPDT On(Mom)/Off/On(Mom) toggle switch
- Multivolt: 12-24 Volt DC, up to 250 Volt AC
- Weatherproof up to IP68 rating
- High impact withstanding thermoplastic case
- UL & CE approved, CSA certified

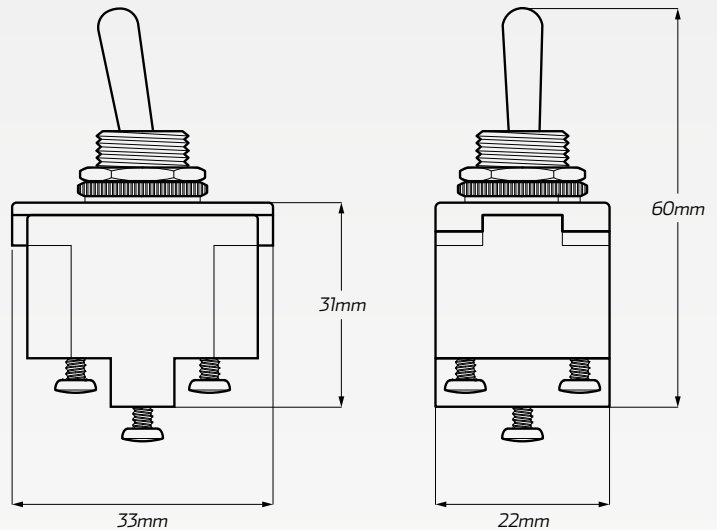
**Panel Cut-out\***



**Wiring Diagram**



\*Measurement allowance: +/- 1mm



**TECHNICAL SPECIFICATIONS**

<b>Function</b>	• DPDT On(Mom)/Off/On(Mom)
<b>Suitable Voltage</b>	• 12-24 Volt DC
<b>Voltage Application</b>	• Up to 250 Volt AC
<b>Current Rating</b>	• 10 Amps @ 28V (resistive load)
<b>Operating Temperature</b>	• -40°C to 71°C
<b>Dimensions</b>	• 60mm H x 31mm W x 22mm D

<b>Mounting Dimensions</b>	• 12mm mounting dia
<b>Body Material</b>	• High impact thermoplastic case
<b>Contact Material</b>	• Silver alloy
<b>IP Rating</b>	• IP68 rated
<b>Approvals</b>	• CE, UL, CSA approvals