

**QVEE** SPST On/Off  
Waterproof Switch  
#MTS403

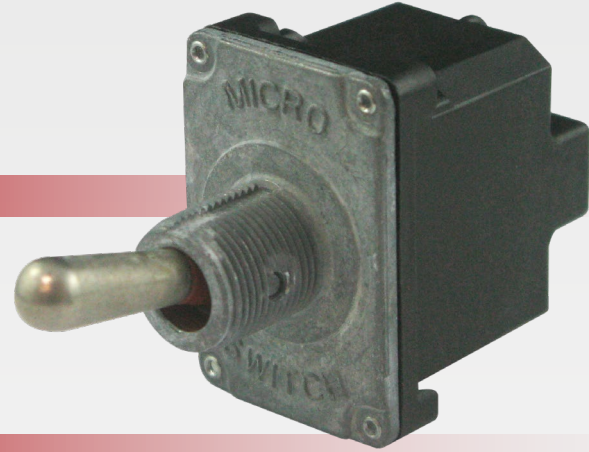
AUTOMOTIVE | MINING | MARINE

www.qvee.com.au

**DESCRIPTION**

12-24V SPST On/Off weatherproof toggle switch with screw on terminals. Suitable for up to 250V AC operation. Dust & waterproof up to IP68 rating. UL recognised, CSA certified.

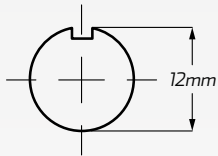
Amperage: 20A @ 28 Volt.



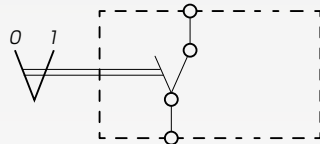
**DIMENSIONS**

- Screw on SPST On/Off toggle switch
- Multivolt: 12-24 Volt DC, up to 250 Volt AC
- Weatherproof up to IP68 rating
- High impact withstanding thermoplastic case
- UL & CE approved, CSA certified

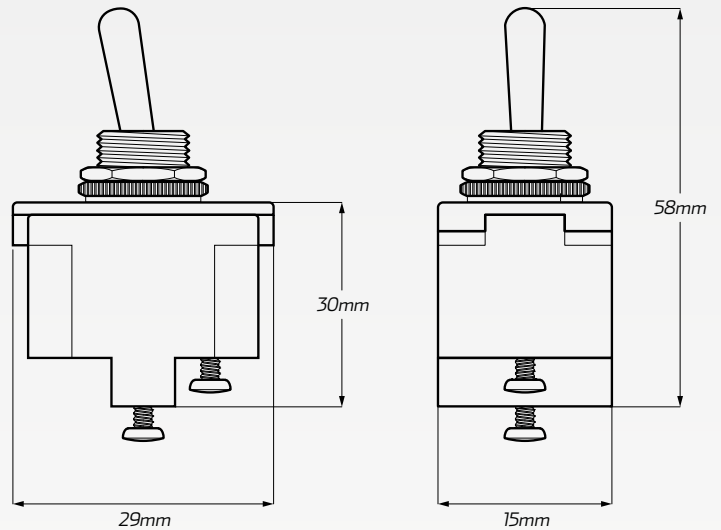
**Panel Cut-out\***



**Wiring Diagram**



\*Measurement allowance: +/- 1mm



**TECHNICAL SPECIFICATIONS**

<b>Function</b>	• SPST On/Off
<b>Suitable Voltage</b>	• 12-24 Volt DC
<b>Voltage Application</b>	• Up to 250 Volt AC
<b>Current Rating</b>	• 20 Amps @ 28V (resistive load)
<b>Operating Temperature</b>	• -40°C to 70°C
<b>Dimensions</b>	• 58mm H x 29mm W x 15mm D

<b>Mounting Dimensions</b>	• 12mm mounting dia
<b>Body Material</b>	• High impact thermoplastic case
<b>Contact Material</b>	• Silver alloy
<b>IP Rating</b>	• IP68 rated
<b>Approvals</b>	• CE, UL, CSA approvals