



Heavy Duty Automatic Reset Circuit Breakers

#QV171-S0 Series

www.mechprod.com

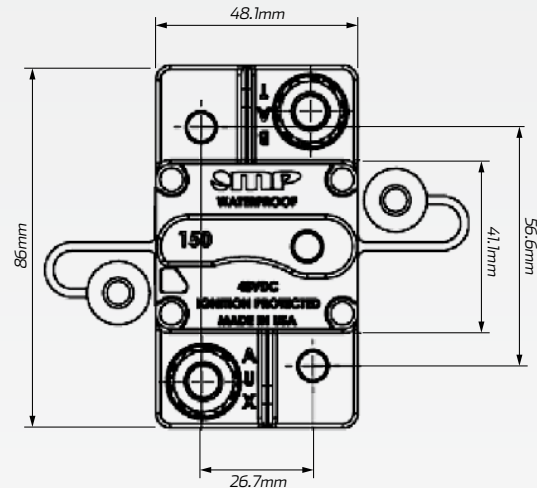
DESCRIPTION

Heavy duty, automatic reset, surface mount circuit breakers. Suitable for up to 30V enclosure with corrosion resistant studs and sealed from dust and moisture to IP67 rating. Ignition protected and has stud insulator caps. Operating temperature of -40°C to 85°C. 1/4" studs. Made in the USA



TECHNICAL SPECIFICATIONS

I.R Rating	<ul style="list-style-type: none"> • 25-150A: 3kA @ 30VDC • 175-200A: 1.5kA @ 30VDC
Voltage Ratings	<ul style="list-style-type: none"> • 30 Volt DC
Termination	<ul style="list-style-type: none"> • Stainless steel studs and sems nuts. Diagonal or side by side studs. 1/4" or 3/8" options
Operating Temp.	<ul style="list-style-type: none"> • -40°C to 85°C
Terminal Hardware	<ul style="list-style-type: none"> • Stainless steel sems nuts, caps included
Housing Material	<ul style="list-style-type: none"> • UL94 V-0 rated black thermoplastic
IP Rating	<ul style="list-style-type: none"> • IP67 Rated
Approvals	<ul style="list-style-type: none"> • SAE J1625, J1171, ABYC E-11, MIL-STD-202, UL1077



PART NUMBERS

Part No.	Amps	Description
QV171-S0-025	25A	25A automatic reset, heavy duty CB
QV171-S0-030	30A	30A automatic reset, heavy duty CB
QV171-S0-035	35A	35A automatic reset, heavy duty CB
QV171-S0-040	40A	40A automatic reset, heavy duty CB
QV171-S0-050	50A	50A automatic reset, heavy duty CB
QV171-S0-060	60A	60A automatic reset, heavy duty CB
QV171-S0-070	70A	70A automatic reset, heavy duty CB
QV171-S0-080	80A	80A automatic reset, heavy duty CB

Part No.	Amps	Description
QV171-S0-090	90A	90A automatic reset, heavy duty CB
QV171-S0-100	100A	100A automatic reset, heavy duty CB
QV171-S0-110	110A	110A automatic reset, heavy duty CB
QV171-S0-120	120A	120A automatic reset, heavy duty CB
QV171-S0-135	135A	135A automatic reset, heavy duty CB
QV171-S0-150	150A	150A automatic reset, heavy duty CB
QV171-S0-175	175A	175A automatic reset, heavy duty CB
QV171-S0-200	200A	200A automatic reset, heavy duty CB