



## Heavy Duty Manual Reset Circuit Breakers

#QV175-S0 Series

www.mechprod.com

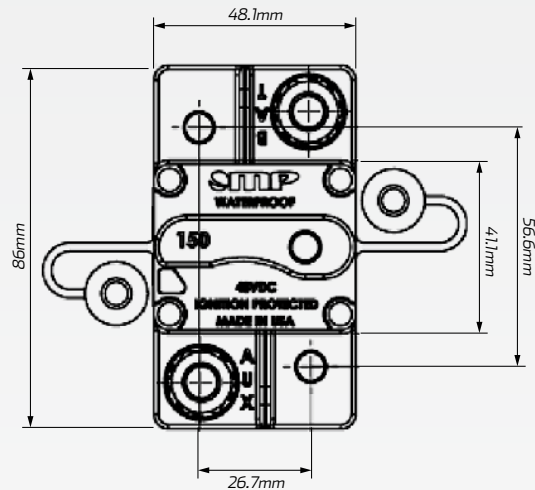
### DESCRIPTION

Heavy duty, manual reset, surface mount circuit breakers. Suitable for up to 30V enclosure with corrosion resistant studs and sealed from dust and moisture to IP67 rating. Ignition protected and has stud insulator caps. Yellow visual indicator. Operating temperature of -40°C to 85°C. 1/4" studs. Made in the USA



### TECHNICAL SPECIFICATIONS

<b>I.R Rating</b>	<ul style="list-style-type: none"> <li>• 25-150A: 2.5kA @ 14VDC, 1.5kA @ 48VDC</li> <li>• 175-200A: 2.5kA @ 14VDC, 1.5kA @ 30VDC</li> </ul>
<b>Voltage Ratings</b>	<ul style="list-style-type: none"> <li>• 25-150A: 48VDC, 175-200A: 30VDC</li> </ul>
<b>Termination</b>	<ul style="list-style-type: none"> <li>• Stainless steel studs and sems nuts. Diagonal or side by side studs. 1/4" or 3/8" options</li> </ul>
<b>Operating Temp.</b>	<ul style="list-style-type: none"> <li>• -40°C to 85°C</li> </ul>
<b>Terminal Hardware</b>	<ul style="list-style-type: none"> <li>• Stainless steel sems nuts, insulator caps included</li> </ul>
<b>Housing Material</b>	<ul style="list-style-type: none"> <li>• UL94 V-0 rated black thermoplastic</li> </ul>
<b>IP Rating</b>	<ul style="list-style-type: none"> <li>• IP67 Rated</li> </ul>
<b>Approvals</b>	<ul style="list-style-type: none"> <li>• SAE J1625, J1171, ABYC E-11, MIL-STD-202, UL1077</li> </ul>



### PART NUMBERS

Part No.	Amps	Description
QV175-S0-025	25A	25A manual reset, heavy duty CB
QV175-S0-030	30A	30A manual reset, heavy duty CB
QV175-S0-035	35A	35A manual reset, heavy duty CB
QV175-S0-040	40A	40A manual reset, heavy duty CB
QV175-S0-050	50A	50A manual reset, heavy duty CB
QV175-S0-060	60A	60A manual reset, heavy duty CB
QV175-S0-070	70A	70A manual reset, heavy duty CB
QV175-S0-080	80A	80A manual reset, heavy duty CB

Part No.	Amps	Description
QV175-S0-090	90A	90A manual reset, heavy duty CB
QV175-S0-100	100A	100A manual reset, heavy duty CB
QV175-S0-110	110A	110A manual reset, heavy duty CB
QV175-S0-120	120A	120A manual reset, heavy duty CB
QV175-S0-135	135A	135A manual reset, heavy duty CB
QV175-S0-150	150A	150A manual reset, heavy duty CB
QV175-S0-175	175A	175A manual reset, heavy duty CB
QV175-S0-200	200A	200A manual reset, heavy duty CB