

QVEE

AUTOMOTIVE | MINING | MARINE

www.qvee.com.au

SPDT 280 Micro Relays

#QV3011CCR1



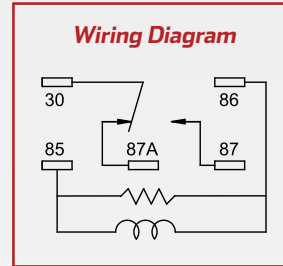
DESCRIPTION

Change over 5 pin micro 280 relays (SPDT). Suitable for a wide range of automotive applications.

Resistor protected.

FEATURES

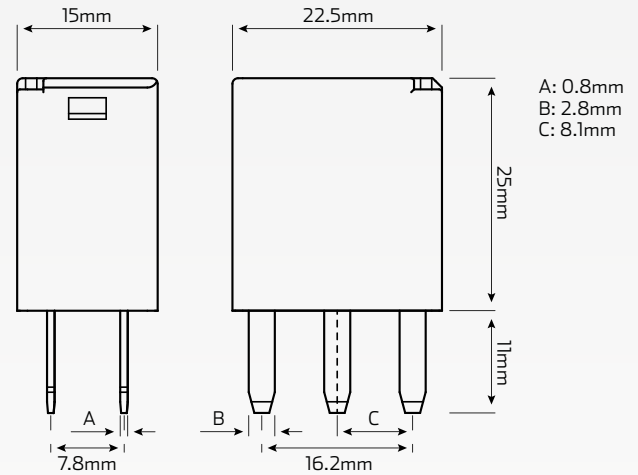
- SPDT change over contact configuration
- -40°C to 125°C operating temperature
- RoHS and ELV compliant



TECHNICAL SPECIFICATIONS

Coil Current	• 97.5mA (12V), 49.6mA (24V)
Coil Resistance	• 123 Ohms (12V), 483 Ohms (24V)
Contact Voltage Drop	• Typ. 40mV at 10A
Contact Material	• Silver tin oxide alloy (Ag3Sn)
Operate / Release Time	• 10ms max / 10ms max
Enclosure	• Flux tight seal
Operating Temperature	• -40°C to 125°C (no freezing)
Mechanical Life Expectancy	• 10,000,000 operations
Approvals	• ELV-2000/53/EC, RoHS compliant

DIMENSIONS



* Terminal size: 2.8mm; Specifications of contact ratings are for resistive load.

PART NUMBERS

Part No.	Voltage	Amperage	Protection	Description
QV3011CCR112	• 12 Volt	• N/O: 35A, N/C: 20A (14VDC)	• ½W 680 Ohm Resistor	• 12V, 35/20A change over 5 pin micro relay. Resistor protected
QV3011CCR124	• 24 Volt	• N/O: 15A, N/C: 10A (28VDC)	• ½W 2.7K Ohm Resistor	• 24V, 15/10A change over 5 pin micro relay. Resistor protected