



Midi Fuse Holder - Gangable

#QV498900

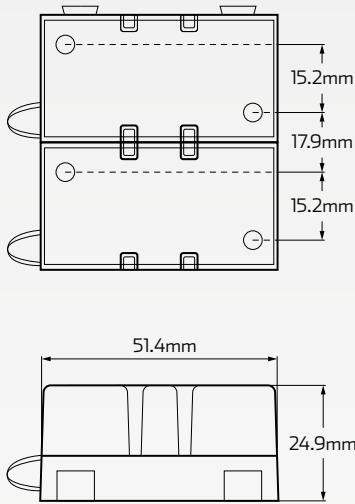
www.littelfuse.com

DESCRIPTION

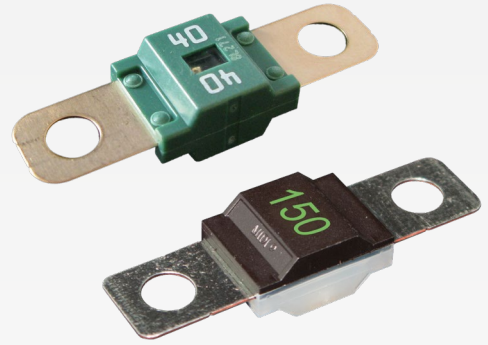
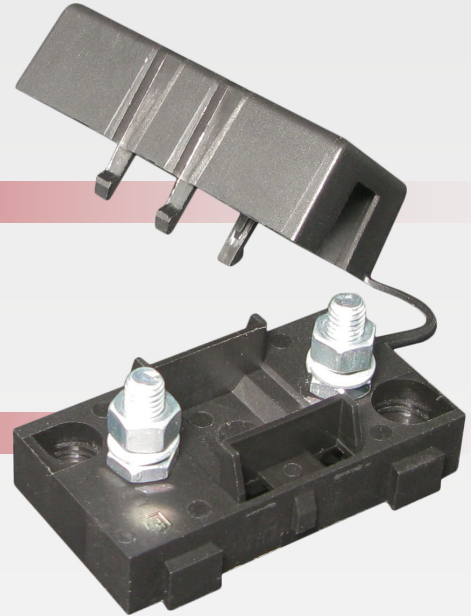
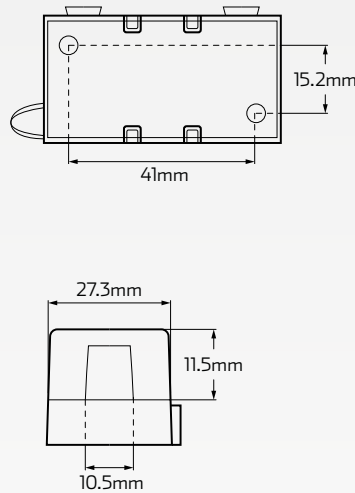
Heavy duty gangable fuse holder to suit midi fuses. Suitable for in-line or surface mount applications. Includes cover and hex nuts. 200A @ 12V. Fuses not included.

DIMENSIONS

Gang mounted Setup



Single Fuse Holder Setup



Suits Midi fuses (not included)

TECHNICAL SPECIFICATIONS

Voltage	• 32 Volt DC	Dimensions	• 51.4mm L x 27.3mm W x 24.9mm H
Current Rating	• 200 Amps @ 12 Volt	Stud Size	• M5 threaded studs
Body Material	• Black glass filled thermoplastic	Cover Material	• Black glass filled thermoplastic
Kit Contents	• Dust cover, hex nuts & lock washers	Approvals	• RoHS approvals
Features	• Gangable (same fuse holder model)		