

QVEE

AUTOMOTIVE | MINING | MARINE

Heavy Duty LED Bullbar
Indicator Park Lamp

#QVBBAWS

www.qvee.com.au

DESCRIPTION

The QVEE QVBBAWS has been specifically designed to suit the ever popular ARB bullbars. The lamp uses two bolt mounting and incorporates both indicator and park lamp functions.

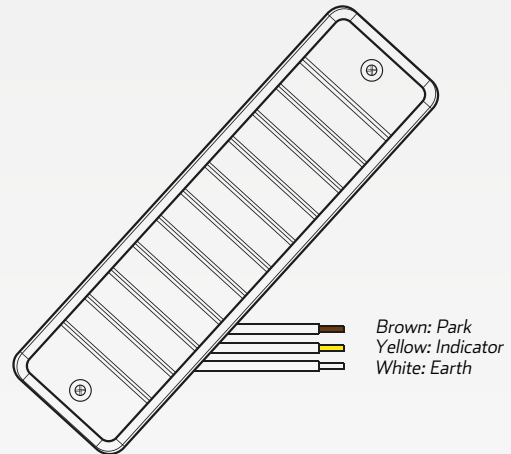
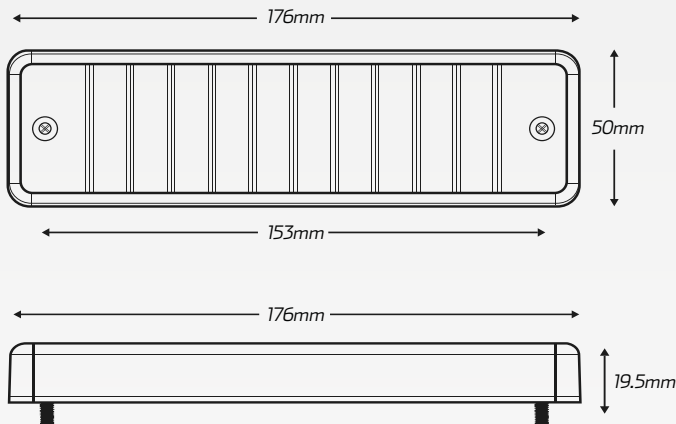
ADR Approved. Comes with a 3 year warranty.



ARB BULLBAR SET-UP

- Registered design
- Clear lens when not illuminated

DIMENSIONS



*To avoid warranty issues DASCO recommends our products to be fitted by a qualified auto electrician.

TECHNICAL SPECIFICATIONS

Voltage	• 9 - 32 Volt
IP Rating	• IP68 Rated
Colour Temperature	• 6000 K
Lens Material	• Polycarbonate Lens
Housing Material	• Polycarbonate

Approvals	• ADR Compliant
Function	• Indicator & Park Light
LED Count	• 30 x High Powered LED's
Mounting	• 153mm Centre to Centre
Dimensions	• 176mm L x 50mm H x 19.5mm D