

QVEE
AUTOMOTIVE | MINING | MARINE

**Battery Isolator
Locking Brackets**

Sold Individually

www.qvee.com.au

DESCRIPTION

Rugged QVEE battery isolator bracket. Securely locks battery isolator in the OFF position, ensuring no unauthorised use of the machine or unexpected start-ups to occur.

Suitable for use with vehicles & machinery and is compatible with major brands isolator switches such as Hella, Bosch & Cole Hersee. Padlock not supplied.

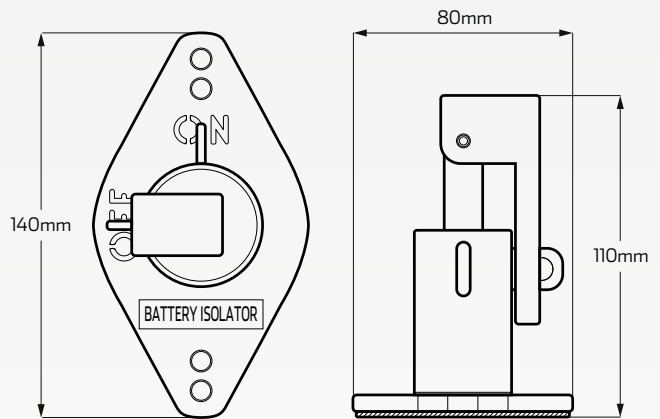
Lockout is not supplied with a padlock



FEATURES

- Designed to enable battery master switches to be securely locked in the OFF position
- Protects personnel & vehicle from unauthorised start up
- Suits QVEE, Hella, Bosch & Cole Hersee battery isolators
- Stainless steel body & powder coated for easy identification

DIMENSIONS



TECHNICAL SPECIFICATIONS

Housing Material	• Powder coated die-cast zinc
Body Material	• Stainless steel shaft
Dimensions	• 140mm x 110mm x 80mm (When lever is at max)

PART NUMBERS

Part No.#	Colour	Description
QVBILO3R	• Red	• Stainless steel lockout for use with a padlock. Red powder coated. Comes supplied with 'Battery Isolator' stickers.
QVBILO3Y	• Yellow	• Stainless steel lockout for use with a padlock. Yellow powder coated. Comes supplied with 'Starter Isolator' stickers.