

QVEE
AUTOMOTIVE | MINING | MARINE

Heavy Duty Spotlight
Mounting Bracket
#QVBRK5

www.qvee.com.au



DESCRIPTION

Heavy duty black powder coated flat bracket.

A perfect mounting bracket for QVEE's spotlights, worklights & safety flags.

Will also suit any other brand spotlight or worklight with a mounting bolt smaller than 14mm diameter.

TECHNICAL SPECIFICATIONS

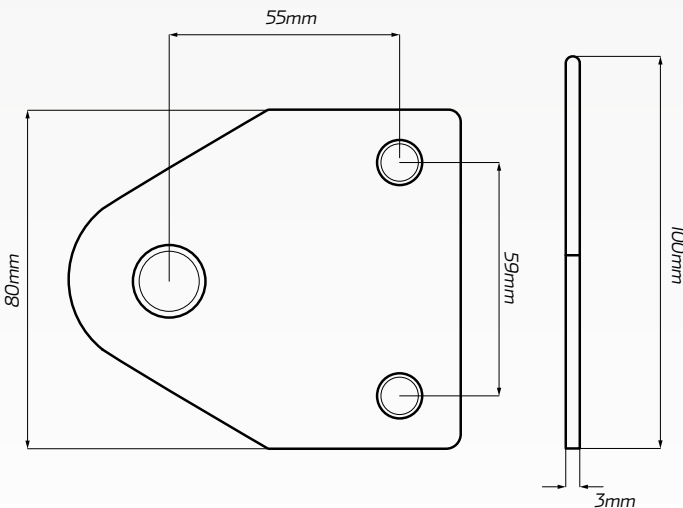
Material	• Stainless steel
Colour	• Black powder coated
Dimensions	• 100mm L x 80mm H x 3mm D
Mounting	• 59mm CTC
Hole Diameter	• 14mm Ø

FEATURES

- Made for heavy duty applications (3mm thickness)
- Rugged stainless steel build
- Suitable to be mounted on a minebar or bullbar
- Black powder coating

* Mounting bolts are not included

DIMENSIONS



Spotlight/worklight mount



Safety flag mount