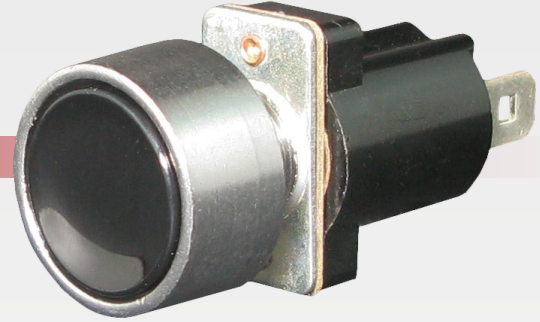


QVEE SPST Off/Mom On
Push Button Switch

AUTOMOTIVE | MINING | MARINE

#QVC938BP

www.qvee.com.au



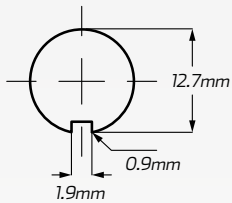
DESCRIPTION

SPST Off/Momentary On push button switch.
Amperage: 10A @ 12 Volt & 5A @ 24 Volt.
2 blade terminals.

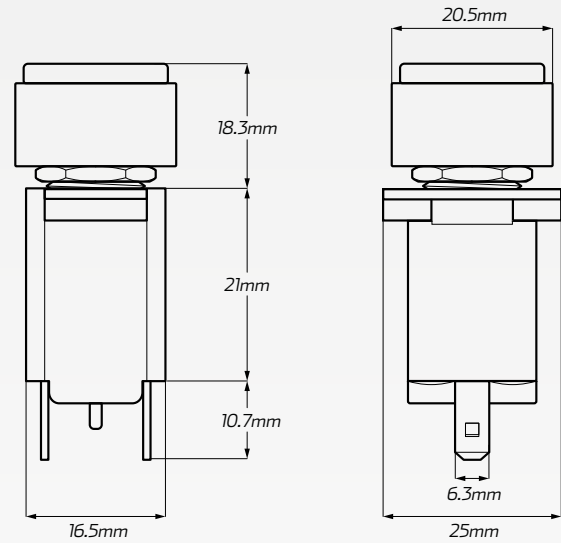
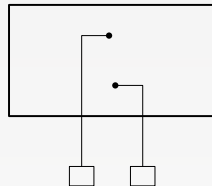
DIMENSIONS

- 2 pin SPST Off/Momentary On push button switch
- 2 blade terminals
- Suitable for 12 - 24 volt applications
- 12.7mm diameter stem
- Spring return switch

Panel Cut-out*



Wiring Diagram



*Measurement allowance: +/- 0.3mm

TECHNICAL SPECIFICATIONS

Function	• SPST Off/Momentary On	Contacts	• 2 blade terminals
Suitable Voltage	• 12 - 24 Volt	Features	• Spring return to Off position
Amperage	• 10A @ 12V, 5A @ 24V	Switch Dimensions	• 16.5mm x 50mm x 25mm
Body Colour	• Silver / Black	Cut-out Dimensions	• Ø 12.7mm (+/- 0.3mm allowance)