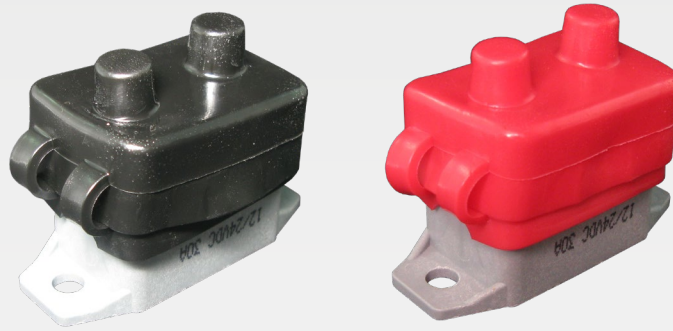


QVEE Circuit Breaker Covers
#QVCBB

AUTOMOTIVE | MINING | MARINE

www.qvee.com.au



DESCRIPTION

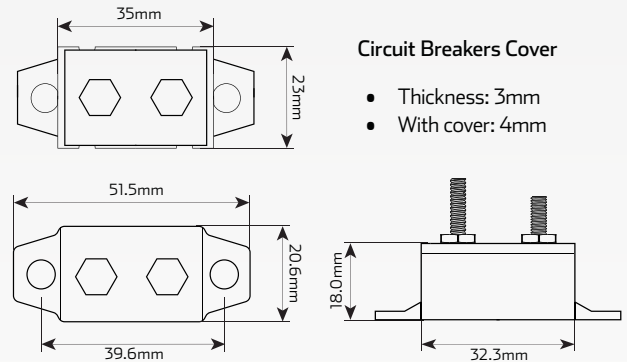
Circuit breaker cover to suit standard circuit breakers. Protects terminal connections from accidental shorts. Suits all QVEE and standard short stop circuit breaker.

- Fits breakers with or without brackets
- Polyvinyl chloride material
- Up to 105° C heat resistance

DESCRIPTION

Approvals	• ABYCE-9, USCG33 pl, ISO 10133
Material	• PVC
Max Temperature	• 105° C
Features	• Fits breakers with or without brackets
Cable Entry	• 18-10AWG
Suits	• QVEE and all standard size short stop circuit breakers

DIMENSIONS



DESCRIPTION

Part No.	Colour	Description
QVCBBR	• Red	• Red circuit breaker cover to suit standard or metal short stop circuit breakers. Circuit breaker not included
QVCBBB	• Black	• Black circuit breaker cover to suit standard or metal short stop circuit breakers. Circuit breaker not included