

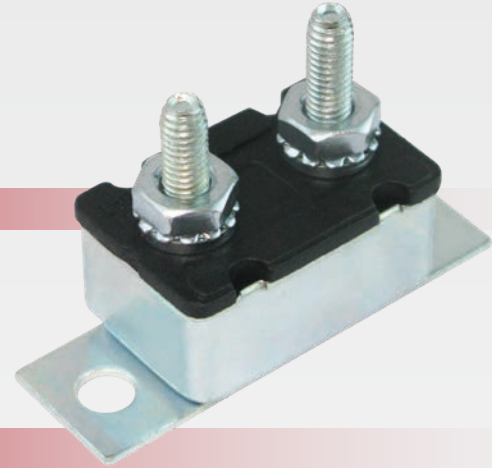
QVEE

AUTOMOTIVE | MINING | MARINE

www.qvee.com.au

Auto Reset Metal Circuit Breaker - Straight Bracket

#QVCBM Series



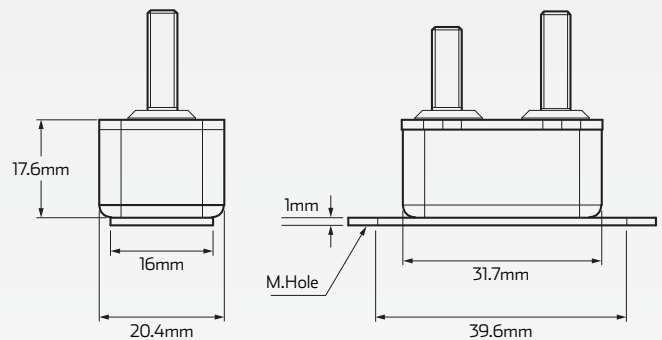
DESCRIPTION

Automatic reset plastic circuit breaker with straight bracket.
Equipped with metal housing & silver plated terminals.
#10-32" thread, nuts included. SAE approved.
Suitable for automotive and other 12 Volt electrical applications.

TECHNICAL SPECIFICATIONS

Voltage	• 12 Volt (up to 14 Volt DC)
Rated Current	• 10A - 50A
Interrupt Rating	• 2.5kA @ 12 Volt DC
Operating Temperature	• -40°C to 85°C
Storage Temperature	• -40°C to 125°C
Terminal	• 10 - 32"
Torque Rating	• 24in-lb (2.7Nm) max
Terminal Hardware	• Terminal 1 & 2 - Silver plated
Housing Material	• Metal Housing, UL rated thermoplastic insulation
Mounting Type	• Straight bracket
Approvals	• SAE J553, SAE J1171

Dimensions



Terminals: 10-32"
+/- 0.5mm tolerance

PART NUMBERS

Part Numbers	Max. Voltage	Amperage	Description
QVCBM10	• Up to 14 Volt DC	• 10Amps	• 10A automatic reset metal circuit breaker. Straight bracket. Supports up to 14V DC.
QVCBM15		• 15 Amps	• 15A automatic reset metal circuit breaker. Straight bracket. Supports up to 14V DC.
QVCBM20		• 20 Amps	• 20A automatic reset metal circuit breaker. Straight bracket. Supports up to 14V DC.
QVCBM25		• 25 Amps	• 25A automatic reset metal circuit breaker. Straight bracket. Supports up to 14V DC.
QVCBM30		• 30 Amps	• 30A automatic reset metal circuit breaker. Straight bracket. Supports up to 14V DC.
QVCBM40		• 40 Amps	• 40A automatic reset metal circuit breaker. Straight bracket. Supports up to 14V DC.
QVCBM50		• 50 Amps	• 50A automatic reset metal circuit breaker. Straight bracket. Supports up to 14V DC.