

QVEE Heavy Duty Manual Reset Circuit Breaker - Side Studs

#QVCBS175 Series

www.qvee.com.au

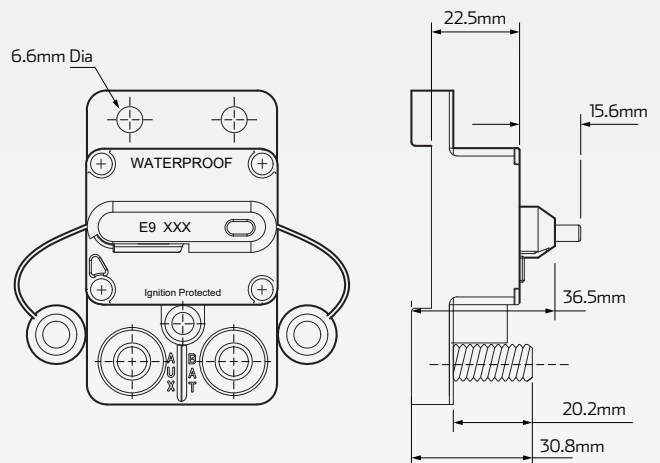
DESCRIPTION

Heavy duty, manual reset, surface mount circuit breakers with side studs. Suitable for up to 48V DC. Features a robust thermoplastic case enclosure with stainless steel studs and sealed from dust and moisture to IP67 rating. Ignition protected and has stud insulator caps. Operating temperature -32°C to 82°C. 1/4" studs. Meets SAE approvals.



TECHNICAL SPECIFICATIONS

Voltage	• 48 Volt DC (=150A) / 24 Volt DC (175A=)
Rated Current	• 25 Amps - 200 Amps
Interrupt Rating	• 5kA @ 18V DC, 3.5kA @ 48V DC
IP Rating	• IP67 rating
Operating Temperature	• -32°C to 82°C
Terminal	• 1/4" - 28 thread per Inch
Torque Rating	• 1/4" @ 100in-lb (11.3Nm)
Terminal Hardware	• Nickel plated copper rivet & Stainless steel stud
Housing Material	• Black thermoplastic, UL94 V-0 rated
Mounting Type	• Surface mount, insulator caps included
Approvals	• SAE J1428, J1625, J553, J1171 & UL 1500



PART NUMBERS

Part Numbers	Max. Voltage	Amperage	Description
QVCBS17530	• Up to 48 Volt DC	• 30 Amps	• 30A heavy duty manual reset circuit breaker. Side by side studs. Supports up to 48V DC.
QVCBS17540		• 40 Amps	• 40A heavy duty manual reset circuit breaker. Side by side studs. Supports up to 48V DC.
QVCBS17550		• 50 Amps	• 50A heavy duty manual reset circuit breaker. Side by side studs. Supports up to 48V DC.
QVCBS17560		• 60 Amps	• 60A heavy duty manual reset circuit breaker. Side by side studs. Supports up to 48V DC.
QVCBS17580		• 80 Amps	• 80A heavy duty manual reset circuit breaker. Side by side studs. Supports up to 48V DC.
QVCBS175100		• 100 Amps	• 100A heavy duty manual reset circuit breaker. Side by side studs. Supports up to 48V DC.
QVCBS175150		• 150 Amps	• 150A heavy duty manual reset circuit breaker. Side by side studs. Supports up to 48V DC.
QVCBS175175	• Up to 24 Volt DC	• 175 Amps	• 175A heavy duty manual reset circuit breaker. Side by side studs. Supports up to 24V DC.
QVCBS175200		• 200 Amps	• 200A heavy duty manual reset circuit breaker. Side by side studs. Supports up to 24V DC.