

QVEE LED ATO Blade Fuse Block
#QVFB6LED

AUTOMOTIVE | MINING | MARINE

www.qvee.com.au



DESCRIPTION

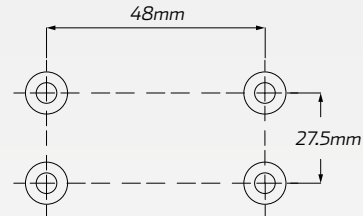
6 way LED fuse box to suit standard (ATO) blade fuses.
Features a transparent cover and 6.3mm blade terminal connections.
Has a single power in.

FEATURES

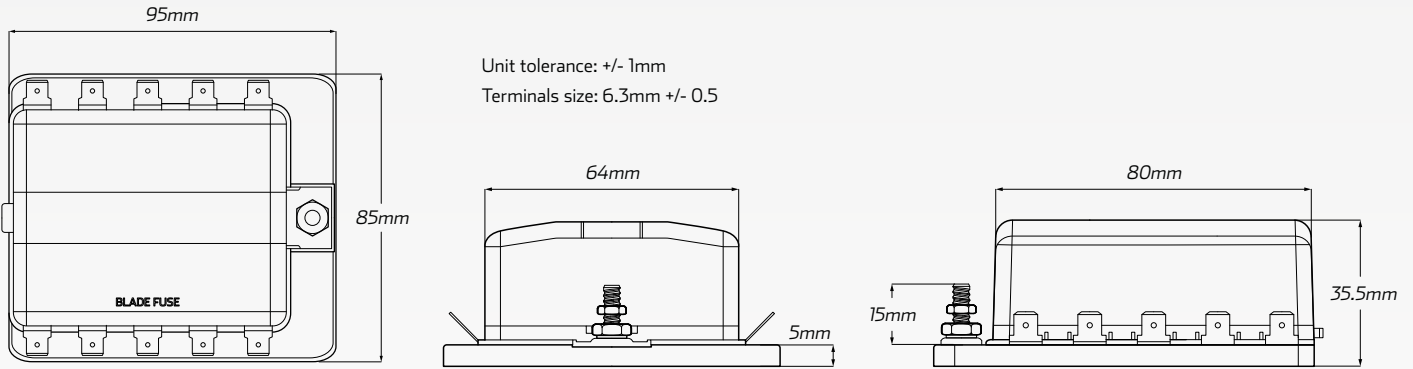
- Maximum voltage of 32V DC
- PBT base with polycarbonate cover
- Copper tin plated terminal connections
- 10-32 stud input terminal with hexnut & washer
- Fuses are not included

Mounting Dimensions

Unit tolerance: +/- 1mm
Mounting torque: 0.9Nm max



DIMENSIONS



Unit tolerance: +/- 1mm
Terminals size: 6.3mm +/- 0.5

TECHNICAL SPECIFICATIONS

Voltage	• 32 Volt DC max	Output / Wire	• 6.3mm terminal / #12-16AWG wire
Current Rating	• 30A per circuit, 100A max per block	Input / Wire	• 10-32 stud terminal / #4-6AWG wire
Materials	• PBT base with polycarbonate cover	Torque Rating	• 2.25Nm max
Terminal Material	• Copper with tin plating	Mounting Torque	• 0.9Nm max