

**QVEE**  
AUTOMOTIVE | MINING | MARINE

Accessory Socket  
with Fixing Nut  
#QVPSACC

www.qvee.com.au



**DESCRIPTION**

The QVPSACC is a heavy duty standard size accessory socket.

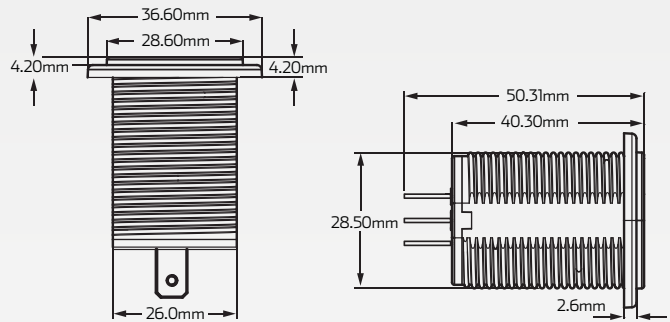
Features a rugged design and dust proof cover.  
Suitable for automotive and marine use.

Comes supplied with fixing nut.

**SOCKET TYPE**



**DIMENSIONS**



**TECHNICAL SPECIFICATIONS**

|                 |                        |
|-----------------|------------------------|
| Input Voltage   | • 12 - 24 Volt         |
| Amperage        | • 20A @ 12V, 10A @ 24V |
| Dimensions      | • 50.31mm x 36.60mm    |
| Socket Diameter | • 28.60mm              |



Both surface and flush mounting panels available

**APPLICATIONS**

|   |                          |
|---|--------------------------|
| 1 | • Cars                   |
| 2 | • ATV's                  |
| 3 | • Trucks                 |
| 4 | • Recreational Vehicles  |
| 5 | • 4 Wheel Drives         |
| 6 | • Earthmoving Equipment  |
| 7 | • Agricultural Machinery |

**SUITABLE QVEE MOUNTS**

| Part No. | Dimensions                        | Description                  |
|----------|-----------------------------------|------------------------------|
| QVPSFMP1 | • 43.22mm H x 61.31mm L x 4.3mm D | • Single flush mount panel   |
| QVPSFMP2 | • 43.34mm H x 107.3mm L x 4.3mm D | • Twin flush mount panel     |
| QVPSFMP3 | • 42.71mm H x 149mm L x 4.3mm D   | • Triple flush mount panel   |
| QVPSFMP4 | • 85.38mm H x 103.2mm L x 4.3mm D | • 4 way flush mount panel    |
| QVPSMP1  | • 50.54mm H x 55.91mm L x 81mm D  | • Single surface mount panel |
| QVPSMP2  | • 50.46mm H x 98mm L x 76mm D     | • Twin surface mount panel   |
| QVPSMP3  | • 50.54mm H x 152mm L x 77mm D    | • Triple surface mount panel |