

QVEE

AUTOMOTIVE | MINING | MARINE

www.qvee.com.au

Small LED Rotating Beacon
#QVRB135



DESCRIPTION

The QVRB135 is a 93mm x 130mm Diameter LED Rotating Amber Beacon with polycarbonate lens.

Rugged design to suit all heavy duty applications including Mining, Transport, Shire, Traffic management etc.

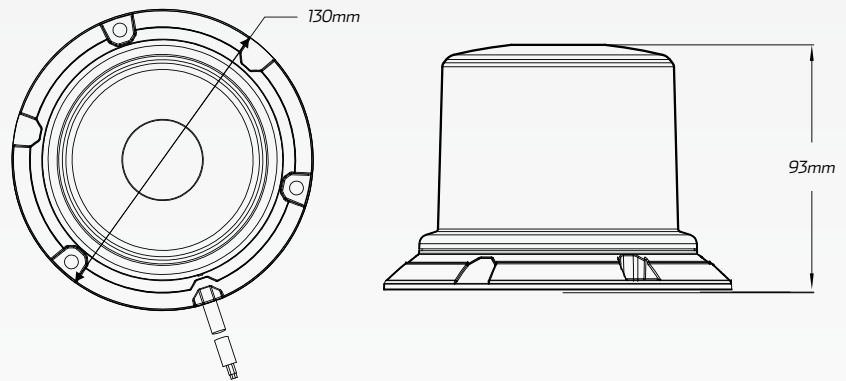
TECHNICAL SPECIFICATIONS

LED Count	• 18 SMD LED's	Mounting	• 3 Bolt Mount
Wattage	• 8 W	Colour	• Amber
Voltage	• 10 - 30 V DC	Wiring	• 500mm Sheathed
Housing Construction	• Polycarbonate	Dimensions	• 93mm H x 130mm D
Lens Construction	• Polycarbonate	Flash Patterns	• 5 different flash patterns including 3 unique alternate or simulated rotating flash patterns
Base	• Polycarbonate		

FLASH PATTERN

1.	• Rotate
2.	• Single Flash
3.	• Double Flash
4.	• Quad Flash
5.	• 1 - 2 - 3 - 4 Combined

DIMENSIONS



WIRING DESIGNATION

