

# QVEE Heavy Duty Amber Slimline LED Emergency Beacon

AUTOMOTIVE | MINING | MARINE #QVRB250

www.qvee.com.au



## DESCRIPTION

The CLASS 1 SAE rated QVRB250 has a very slim low profile design. Like most light vehicles, height restrictions can be an issue when mounting emergency lighting.

The QVRB250 provides a solution to this problem without reducing lighting performance. Ideal for Mining, Transport, Shire & Traffic Management applications.

A great low profile solution.

## TECHNICAL SPECIFICATIONS

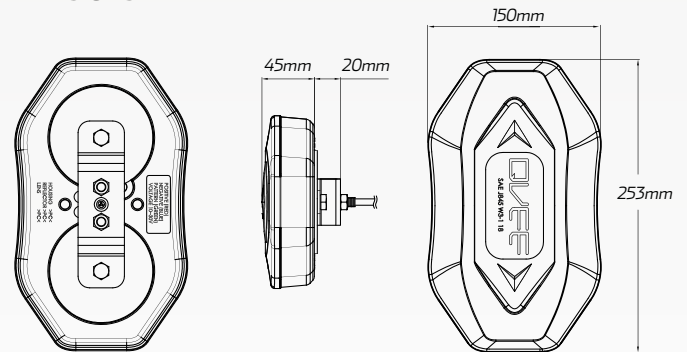
LED Count	• 40 SMD LED's	Mounting	• 4 Bolt Mount
Wattage	• 40 W	Approvals	• SAE Class 1 & ECE R65
Voltage	• 10 - 30 V DC	Wiring	• 500m Sheathed
Housing Construction	• Polycarbonate	Dimensions	• 253mm x 150mm x 45mm
Lens Construction	• Polycarbonate	Flash Patterns	• 20 different flash patterns including 9 unique alternate or simulated rotating flash patterns
Base	• Polycarbonate		

## WIRING DIAGRAM

### FLASH PATTERN

1. • Rotate Fast - 100 FPM	11. • Alternating Quin
2. • Random 1	12. • Alternating Single 2
3. • Burst	13. • Alternating Ten
4. • Single - Ten	14. • Alternating Quad (H/L)
5. • Burst - Single	15. • Alternating Double (H/L)
6. • Rotate Slow - 50 FPM	16. • Random 3
7. • Random 2	17. • Single
8. • Alternating Single 1	18. • Double
9. • Alternating Double	19. • Quad
10. • Alternating Quad	20. • Quin

### DIMENSIONS



### WIRING DESIGNATION

