

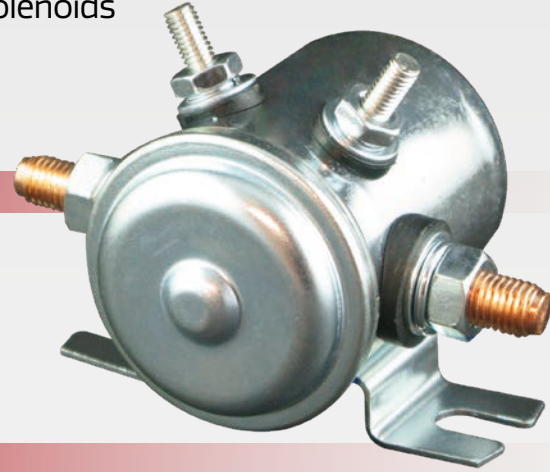
QVEE

AUTOMOTIVE | MINING | MARINE

www.qvee.com.au

100A, Continuous Duty Solenoids

Sold individually



DESCRIPTION

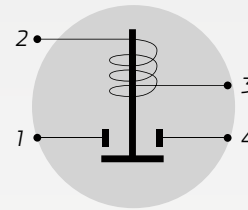
100A, Continuous duty solenoids.

Available in 12 Volt or 24 Volt orientation.
Features Steel housing with Copper contacts.

Sold individually.

FEATURES

- 100 Amp, Continuous duty solenoids
- Available in 12V or 24V
- Up to 250A In-rush current
- Equipped with Steel housing & Copper contact studs
- 5/16" - 24 contact thread size

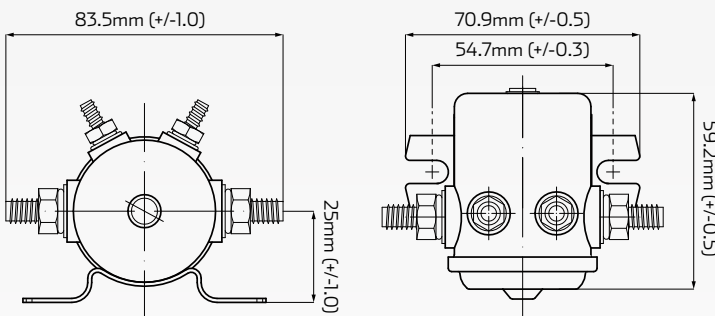


ELECTRICAL SCHEMATIC

Caution: never unscrew the inner hexnuts on the studs. These keep the stud and inner wiring in place.

TECHNICAL SPECIFICATIONS

DIMENSIONS



Voltage	• 12 or 24 Volt DC
Housing Material	• Steel housing
Stud Material	• Copper stud contacts
Contact Stud Size	• 5/16" - 24 threads
Coil Stud Size	• 10 - 32" threads
Dimensions	• 83.5mm W x 59.2mm L

PART NUMBERS

Part Number	Voltage	Current Rated	Current In-Rush	Impedance	Description
QVS12100	• 12 Volt	• Cont. 100A	• 250A	• 15.62 +/- 1.25 Ohm	• 12V, 100A continuous duty solenoid with Copper studs.
QVS24100	• 24 Volt	• Cont. 100A	• 250A	• 61.6 +/- 4.93 Ohm	• 24V, 100A continuous duty solenoid with Copper studs.