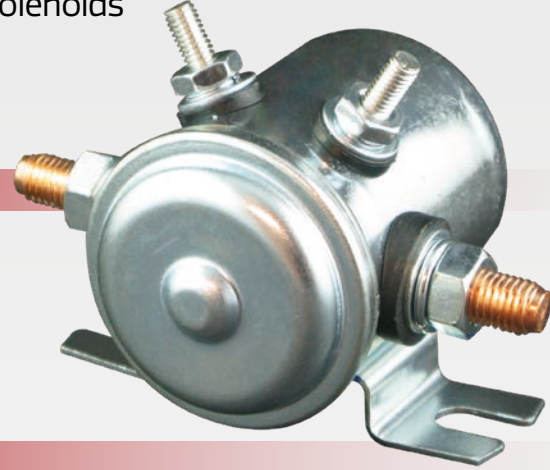


QVEE
AUTOMOTIVE | MINING | MARINE

200A, Continuous Duty Solenoids
Sold individually

www.qvee.com.au

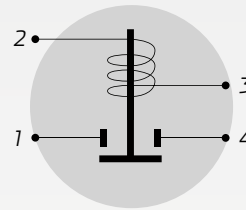


DESCRIPTION

200A, Continuous duty solenoids.
Available in 12 Volt or 24 Volt orientation.
Features Steel housing with Silver Alloy contacts.
Sold individually.

FEATURES

- 200 Amp, Continuous duty solenoids
- Available in 12V or 24V
- Up to 600A In-rush current
- Equipped with Steel housing & Silver Alloy contact studs
- 5/16" - 24 contact thread size

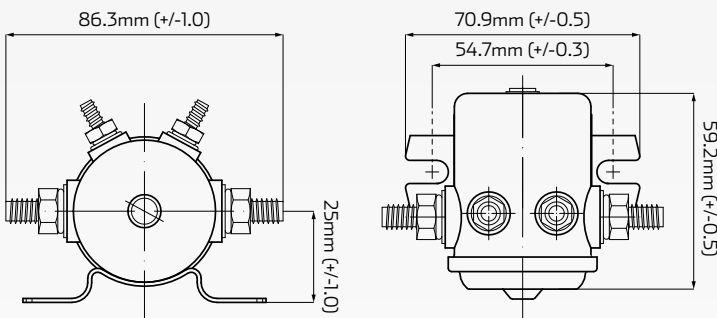


ELECTRICAL SCHEMATIC

Caution: never unscrew the inner hexnuts on the studs. These keep the stud and inner wiring in place.

TECHNICAL SPECIFICATIONS

DIMENSIONS



Voltage	• 12 or 24 Volt DC
Housing Material	• Steel housing
Stud Material	• Silver Alloy stud contacts
Contact Stud Size	• 5/16" - 24 threads
Coil Stud Size	• 10 - 32" threads
Dimensions	• 86.3mm W x 59.2mm L

PART NUMBERS

Part Number	Voltage	Current Rated	Current In-Rush	Impedance	Description
QVS12200	• 12 Volt	• Cont. 200A	• 600A	• 15.62 +/- 1.25 Ohm	• 12V, 200A continuous duty solenoid with Copper studs.
QVS24200	• 24 Volt	• Cont. 200A	• 600A	• 61.6 +/- 4.93 Ohm	• 24V, 200A continuous duty solenoid with Copper studs.