

QVEE 120W High Powered LED Spotlight - Spot Beam
AUTOMOTIVE | MINING | MARINE #QVSL120SHD

www.qvee.com.au

DESCRIPTION

The QVEE 120W high powered LED spotlight has 12 x 10W CREE LED's, putting out a massive 9,200 lumens.

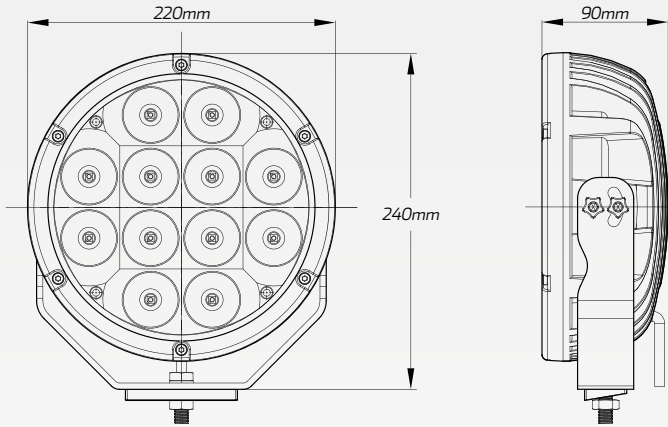
Heavy duty housing with a unique heatsink construction for heat dispersion. Fitted with precision reflector and optics.

Ideal for all heavy duty applications and 4x4 enthusiasts.

DIMENSIONS

ECE R10

ECE R112

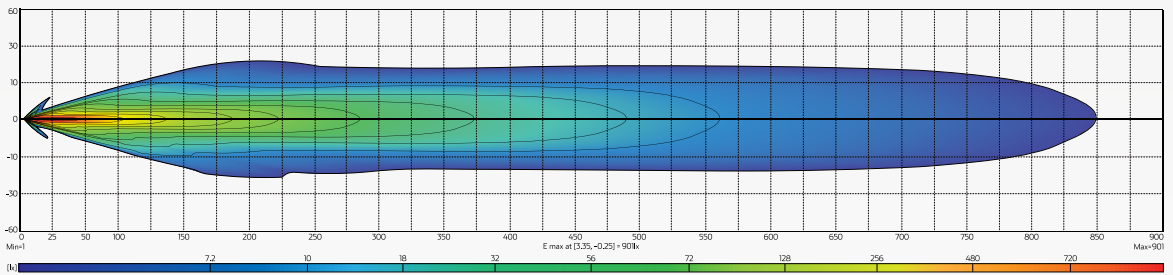


ACCESSORIES

- Inbuilt DT Deutsch Connector
- Clear Polycarbonate Cover



BEAM COVERAGE



TECHNICAL SPECIFICATIONS

Voltage	• 10 - 60 Volt
Wattage	• 120 Watt
IP Rating	• IP67 Rated
Raw Lumens	• 9,200 Lumens
Effective Lumens	• 7,600 Lumens
LED Count	• 12 x 10W High Powered CREE LED's

Colour Temperature	• 6000 K
Dimensions	• 220mm L x 240mm H x 90mm D
Beam Coverage	• Spot Beam
Approvals	• ECE R10, ECE R112
Accessories	• Inbuilt DT Deutsch Connector • Clear Polycarbonate Cover