

# QVEE Large Toyota Switch Bracket

#QVSWHLB

AUTOMOTIVE | MINING | MARINE

www.qvee.com.au

## DESCRIPTION

The QVSWHLB flush brackets are designed as a direct replacement brackets for Toyota Hilux or Landcruiser.

Suits the larger style QVSWHL Toyota switches of any type and is easy to install.

Great look for any fit out.

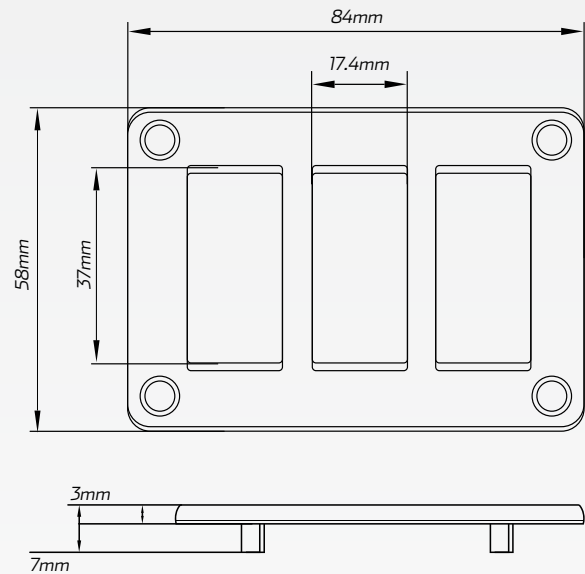


## TECHNICAL SPECIFICATIONS

Panel Material	• Polycarbonate
Switch Hole Size	• 17.4mm W x 37mm H
Screws Diamater	• 5mm

## MODEL

1	• 75, 76, 78, 79, 100 Series Landcruiser
2	• 2005 - 2013 Hi-Ace
3	• 2005 - 2015 Hilux (Non SRS)
4	• 2014 - 2015 Hilux SRS
5	• 2003 - 2009 Prado 120 Series



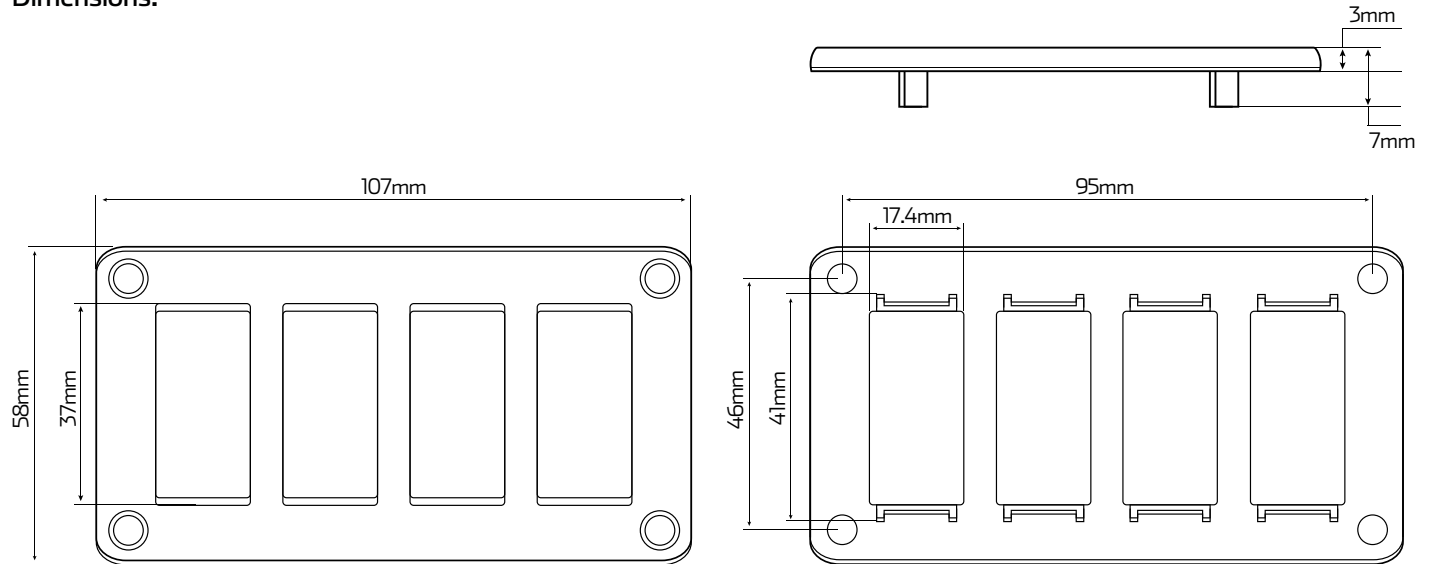
• Dimension diagram is based of #QVSWHLB3

Part Name	Part No.	Dimensions	Description
• 2 Way Large Toyota Switch Bracket	• QVSWHLB2	• 61mm W x 58mm H	• 2 way flush mount switch bracket to suit large Toyota switches
• 3 Way Large Toyota Switch Bracket	• QVSWHLB3	• 84mm W x 58mm H	• 3 way flush mount switch bracket to suit large Toyota switches
• 4 Way Large Toyota Switch Bracket	• QVSWHLB4	• 107mm W x 58mm H	• 4 way flush mount switch bracket to suit large Toyota switches

# 4 WAY LARGE TOYOTA SWITCH BRACKET

## Dimension Diagram

Dimensions:



\*To avoid warranty issues QVEE recommends our products are fitted by a qualified Auto Electrician.