

QVEE
AUTOMOTIVE | MINING | MARINE

Toyota Style USB
Insert with Volt Meter
#QVSWHLUSBVBL

www.qvee.com.au



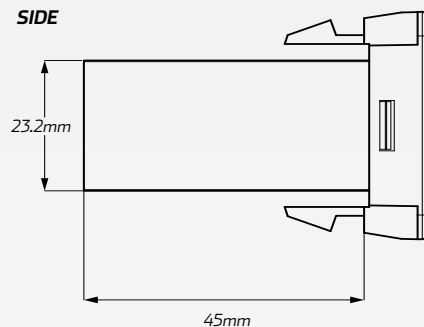
DESCRIPTION

The QVSWHLUSBV USB insert with volt meter are designed as a direct replacement for Toyota Hilux or LandCruiser. Comes with wiring harness and has a blue LED illumination. Great look for any fit out.

TECHNICAL SPECIFICATIONS

Flame Retardant Rating	• UL94 - V0
Voltage Input	• 12V Input
Amperage Rating	• 3 A
LED Current Draw	• Less than 0.25 W
LED Colour	• Blue LED Illumination
Applications	• 4WD's, RV's, ATV's, Cars, Trucks, Agricultural Machinery, Earthmoving Equipment.

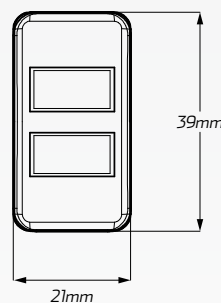
DIMENSIONS



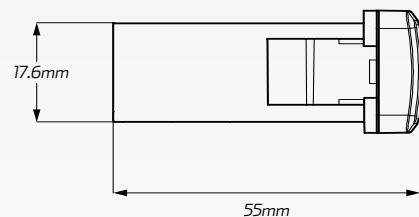
MODEL

- 75, 76, 78, 79, 100 Series LandCruiser
- 2005 - 2013 Hi-Ace
- 2005 - 2015 Hilux (Non SR5's)
- 2014 - 2015 Hilux SR5
- 2003 - 2009 Prado 120 Series

FRONT



TOP



WIRING HARNESS

