

**QVEE**  
AUTOMOTIVE | MINING | MARINE

Small Toyota Style  
UHF Panel Insert  
#QVSWPRUHFBL

www.qvee.com.au



**DESCRIPTION**

The QVSWPRUHF UHF panel insert are designed as a direct replacement for Toyota Prado.

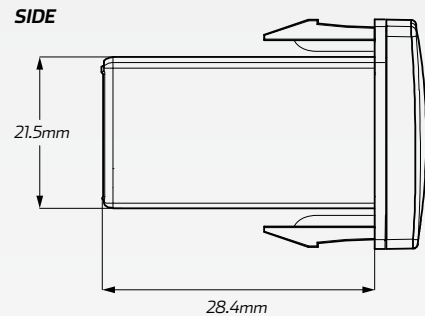
Comes with Harness, Blue LED illumination and easy installation

Great look for any fit out.

**TECHNICAL SPECIFICATIONS**

UHF Socket	• RJ45 Connectors (not included)
Voltage Input	• 12V Input
Amperage Rating	• 3 A
LED Current Draw	• Less than 0.25 W
LED Colour	• Blue LED Illumination
Applications	• 4WD's, RV's, ATV's, Cars, Trucks, Agricultural Machinery, Earthmoving Equipment.

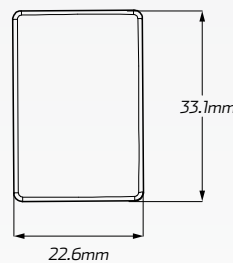
**DIMENSIONS**



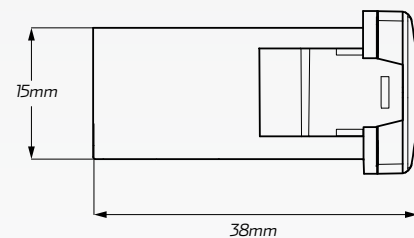
**MODEL**

- 2016 Hilux
- 2015 - Current Tundra
- 2010 - Current Prado 150
- 2008 - Current 200 Series Landcruiser

**FRONT**



**TOP**



**WIRING HARNESS**

