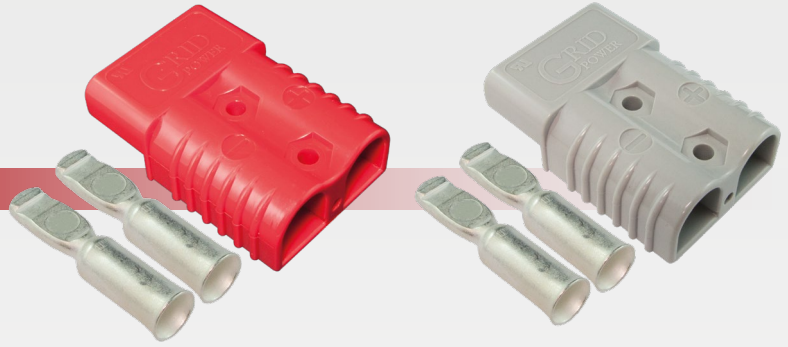


**QVEE**

AUTOMOTIVE | MINING | MARINE

www.qvee.com.au

350 Amp  
Anderson Plug  
#QVSY350



**DESCRIPTION**

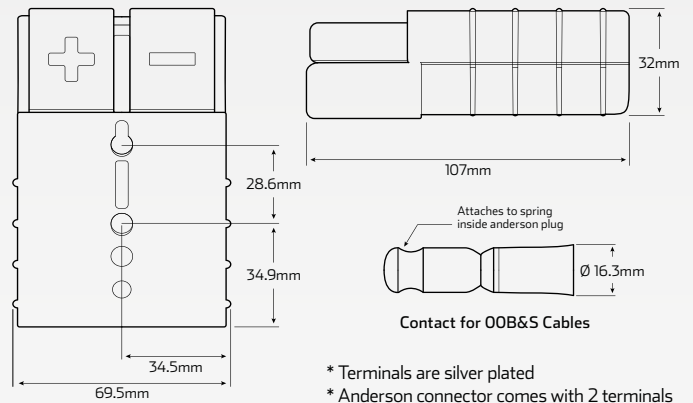
350A Anderson style connector with 2 terminals.  
Takes 00 B&S (70mm<sup>2</sup>) battery cable.

**TECHNICAL SPECIFICATIONS**

**GENERAL SPECIFICATIONS**

Operating Temperature	• -20°C to 105°C
Voltage Rating	• 600 Volts DC
Current Rating	• 350 Amp (wire produces 30°C rise)
Max. Withstand Voltage	• 2200 Volts over short period
Mechanical Life	• 10,000 uses
Approvals	• UL approved, RoHS

**DIMENSIONS**



**HOUSING SPECIFICATIONS**

Average Insertion Force	• 30 lbs (13.50kg)
Max. Wire Insulation Ø	• 1.10" / 28mm

**TERMINAL SPECIFICATIONS**

Average Terminal Holding Force	• +/- 500 lbs
Average Contact Resistance	• 300 Micro-Ohms @ 00 B&S

**PART NUMBERS**

Part No.	Colour	Description
QVSY350	• Grey	• 350 Amp grey Anderson style connector with 2 terminals. Takes 00 B&S (70mm <sup>2</sup> ) cable.
QVSY350R	• Red	• 350 Amp red Anderson style connector with 2 terminals. Takes 00 B&S (70mm <sup>2</sup> ) cable.
Part No.	Colour	Description
QVSY350T	• Silver-Plated	• Terminal replacement to suit 350 Amp Anderson style connectors. Sold in pairs of 2.