

QVEE
AUTOMOTIVE | MINING | MARINE

Metal Emergency Stop Switch - 2 x N/C
#QVTMS03METAL

www.qvee.com.au

DESCRIPTION

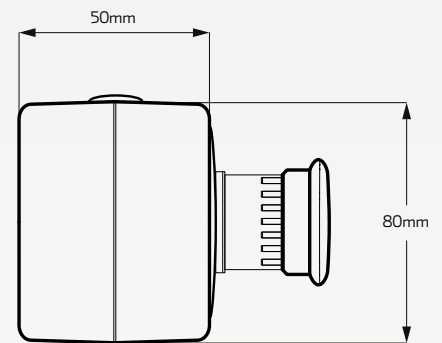
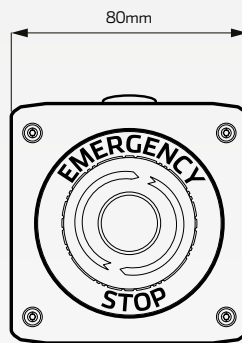
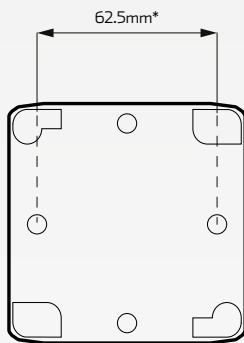
Metal emergency stop switch with 2 x normally closed contact and a normally open contact. Heavy duty metal housing and switch shaft. Comes assembled with a cable entry shaft on top of the switch's enclosure. IP65 dust & water resistant. Twist to reset.



FEATURES

- Comes with 2 x normally closed & normally open contacts
- 10A contact sets & cable entry shaft on top of switch
- Enclosed with metal thread & integral sealing basket
- IP65 rated cast metal alloy enclosure

DIMENSIONS



*Holes are not pre-drilled

TECHNICAL SPECIFICATIONS

Contacts	• 2 x Normally closed, 1 x Normally open	Switch Material	• Plastic
Contact Rating	• 10Amp	Switch Colour	• Red
Housing Material	• Metal alloy	Switch Dimensions	• 40mm Ø
Housing Colour	• Grey & yellow	Mounting	• 5mm Ø, 62.5mm centre to centre
Housing Dimensions	• 80mm W x 80mm H x 50mm D	IP Rating	• IP65 rated