

QVEE 108W High Powered LED Worklight - Spot Beam
AUTOMOTIVE | MINING | MARINE #QVWL108S

www.qvee.com.au

DESCRIPTION

The QVEE 108W high powered LED worklight has 12 x 9W Osram LED's, putting out a massive 11,040 lumens.

Heavy duty aluminium housing with a unique heatsink construction for heat dispersion, stainless steel mounting bracket and virtually unbreakable polycarbonate lens.

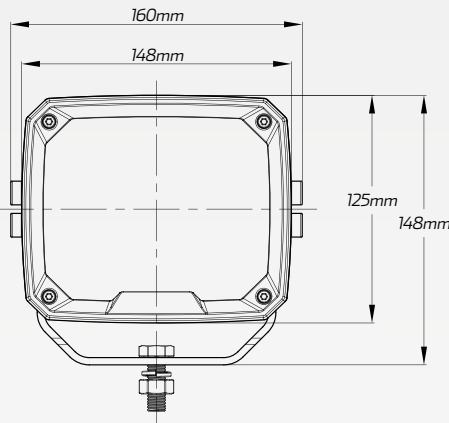
This lamp is built for Australia's harsh mining industry.



DIMENSIONS

ECE R10

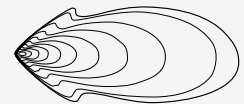
ECE R112



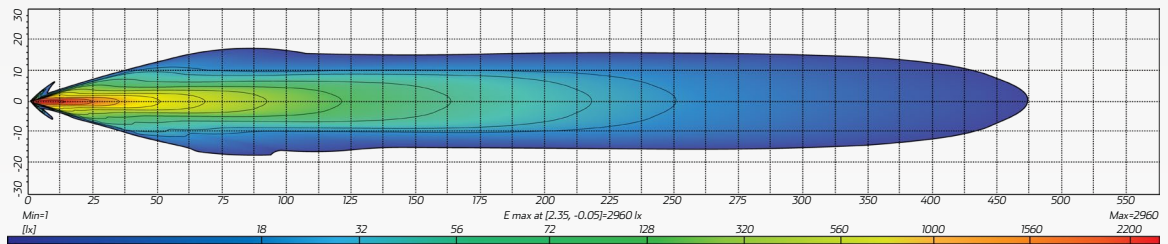
ACCESSORIES

- Inbuilt DT Deutsch Connector
- Stainless Steel Bracket

FLOOD



BEAM COVERAGE



TECHNICAL SPECIFICATIONS

Voltage	• 10 - 48 Volt
Wattage	• 108 Watt
IP Rating	• IP67 Rated
Raw Lumens	• 11,040 Lumens
Effective Lumens	• 8,050 Lumens
LED Count	• 12 x 9W High Powered Osram LED's

Colour Temperature	• 5700 K
Vibration Resistance	• 18G rms 24-2000Hz
Dimensions	• 160mm L x 148mm H x 85mm D
Beam Coverage	• Spot Beam
Accessories	• Inbuilt DT Deutsch Connector • Stainless Steel Bracket