

QVEE
AUTOMOTIVE | MINING | MARINE

10W High Powered LED
Worklight - Flood Beam
#QVWL10WF

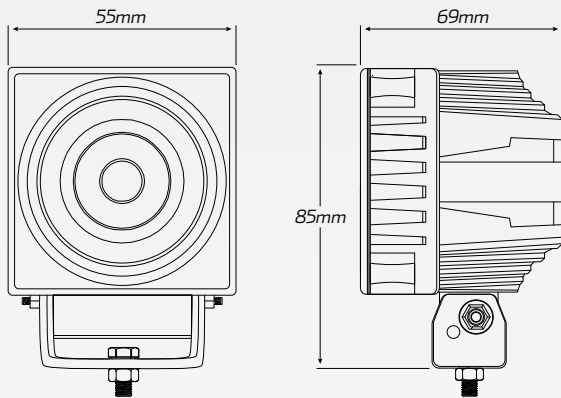
www.qvee.com.au

DESCRIPTION

The QVEE 10W high powered LED worklight has 1 x 10W CREE LED, putting out a massive 900 lumens. Heavy duty die-cast housing with a virtually unbreakable hardened PMMA lens.

Ideal for all applications where high illumination is a must. Fitted with a waterproof connector and stainless steel fittings.

DIMENSIONS



*Inter-lockable for additional LED power



ACCESSORIES

- 1 x Waterproof Connector
- Stainless Steel Brackets

FLOOD



TECHNICAL SPECIFICATIONS

Voltage	• 9 - 48 Volt
IP Rating	• IP68 Rated
Lumens	• Raw: 900lm / Effective: 750lm
LED Count	• 1 x 10W High Powered CREE LED
Lens	• PMMA Lens
Beam Coverage	• Flood Beam
Colour Temperature	• 6000 K
Dimensions	• 55mm L x 55mm H x 69mm D
Shock Rating	• 60G
Accessories	• 1 x Waterproof Connector • Stainless Steel Brackets

BEAM COVERAGE

