

QVEE

AUTOMOTIVE | MINING | MARINE

10W High Powered LED Worklight - Spot Beam

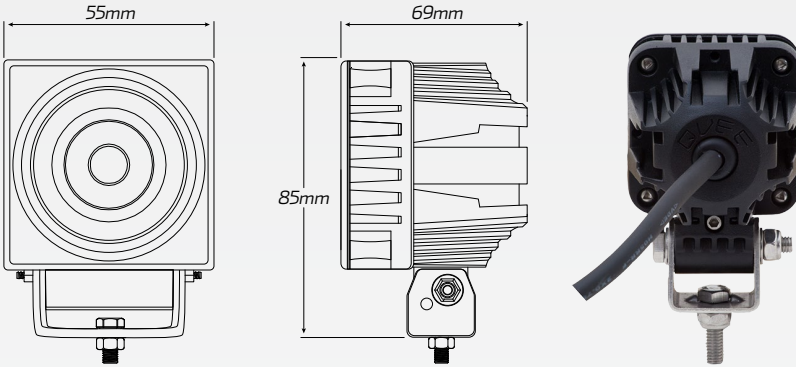
#QVWL10WS

www.qvee.com.au

DESCRIPTION

The QVEE 10W high powered LED worklight has 1 x 10W CREE LED, putting out a massive 900 lumens. Heavy duty die-cast housing with a virtually unbreakable hardened PMMA lens.

Ideal for all applications where high illumination is a must. Fitted with a waterproof connector and stainless steel fittings.



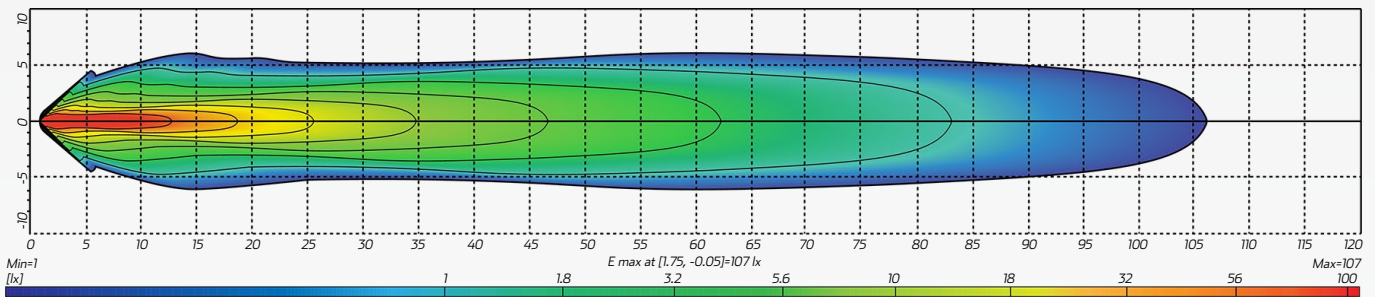
ACCESSORIES

- 1 x Waterproof Connector
- Stainless Steel Brackets

*Inter-lockable for additional LED power



BEAM COVERAGE



TECHNICAL SPECIFICATIONS

Voltage	• 9 - 48 Volt / 10W	Beam Coverage	• Spot Beam
IP Rating	• IP68 Rated	Colour Temperature	• 6,000K
Lumens	• Raw: 900lm / Effective: 750lm	Accessories	• 1 x Waterproof Connector • Stainless Steel Brackets
LED Count	• 1 x 10W High Powered CREE LED's	Dimensions	• 55mm L x 55mm H x 69mm D
Lens	• PMMA Lens		