

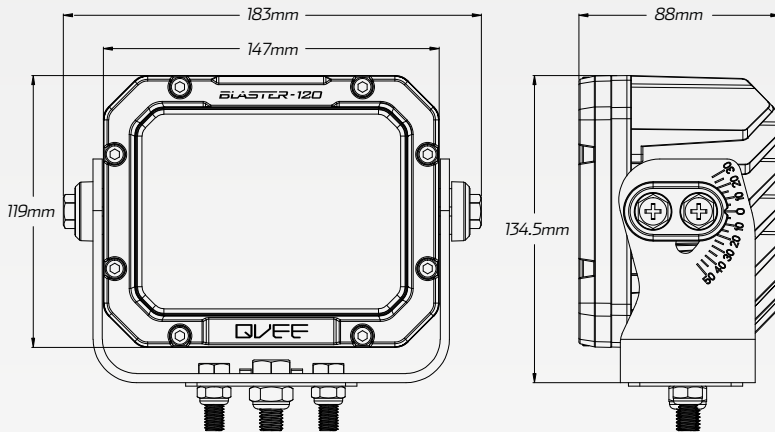
QVEE 120W Heavy Duty LED
Worklight - Spot Beam
BLASTER SERIES #QVWL120MSHD

www.qvee.com.au

DESCRIPTION

The 'Blaster' series are Heavy Duty Worklights specifically designed for harsh environments like Agricultural & Mining. These 120W 'Blaster' Heavy Duty Worklights are powered by 12 x 10W high intensity Osram® LED's producing a massive 12,000 Lumens of bright 5700K lighting.

Features an IP69K rated housing & ultra heavy duty mounting bracket, Class 4 EMC/EMI protection and in-built Deutsch connector.



ACCESSORIES

- Heavy Duty Mounting Brackets & Fittings



TECHNICAL SPECIFICATIONS

Voltage	• 9 - 32 Volt	Colour Temperature	• 5700 K
Wattage	• 120 Watt	Vibration Resistance	• Up to 30G
IP Rating	• IP69K Rated	Housing Material	• ADC 12 Aluminium Housing
Raw Lumens	• 12,000 Lumens	Lens Material	• Polycarbonate Lens
Efficient Lumens	• 10,200 Lumens	Dimensions	• 183mm L x 134.5mm H x 88mm D
LED Count	• 12 x 10W High Powered Osram® LED's	Approvals	• EMC/EMI Rating: CISPR 25 - Class 4
Beam Coverage	• Spot Beam		

