

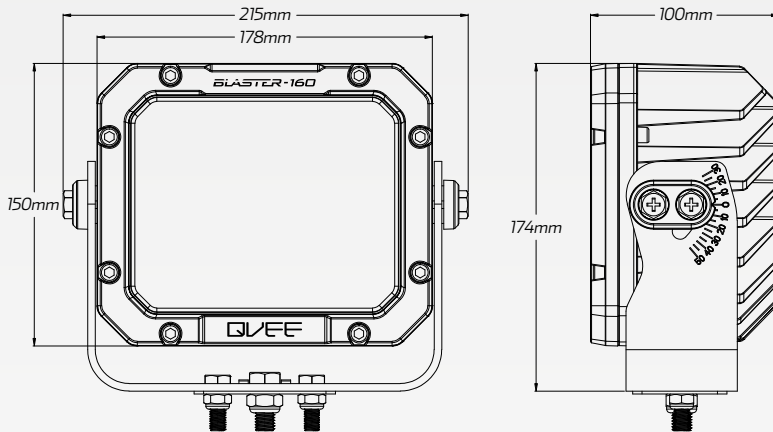
QVEE 160W Heavy Duty LED
BLASTER SERIES Worklight - Spot Beam
#QVWL160MSHD

www.qvee.com.au

DESCRIPTION

The ultimate in lighting performance. Flick your on switch to unleash 16,000 Lumens of Flood lighting across your work space.

Equipped with high quality 16 x 10W Osram® LED's, Heavy duty housing & Ultra heavy duty mounting bracket, this light will ensure that what you're looking at is always lit up. Whether its mining, industrial, agricultural or marine this light will tackle it with confidence.



ACCESSORIES

- Heavy Duty Mounting Brackets & Fittings



TECHNICAL SPECIFICATIONS

Voltage	• 9 - 32 Volt	Colour Temperature	• 5700 K
Wattage	• 160 Watt	Vibration Resistance	• Up to 30G
IP Rating	• IP69K Rated	Housing Material	• ADC 12 Aluminium Housing
Raw Lumens	• 16,000 Lumens	Lens Material	• Polycarbonate Lens
Efficient Lumens	• 12,600 Lumens	Dimensions	• 215mm L x 174mm H x 100mm D
LED Count	• 16 x 10W High Powered Osram® LED's	Approvals	• EMC/EMI Rating: CISPR 25 - Class 4
Beam Coverage	• Spot Beam		

