

**QVEE**  
AUTOMOTIVE | MINING | MARINE

20W Flush Mount LED  
Worklight - Flood Beam  
#QVWL20FM

www.qvee.com.au

**DESCRIPTION**

The QVEE 20W high powered LED worklight has 4 x 5W Osram® LED's, putting out a massive 1,680 lumens.

Heavy duty aluminium housing with a unique heatsink construction for heat dispersion and virtually unbreakable polycarbonate lens.

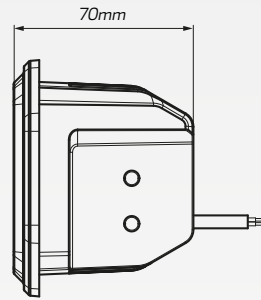
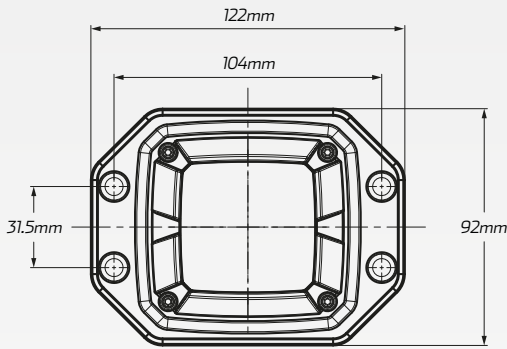
Fitted with a flush mount bracket. IP67 rated.



**DIMENSIONS**

10V  
32V

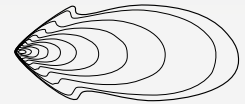
IP67



**ACCESSORIES**

- Fittings
- Flush mount bracket

**FLOOD**



**TECHNICAL SPECIFICATIONS**

Voltage	• 10 - 32 Volt DC
Wattage	• 20 Watt
IP Rating	• IP67 Rated
Raw Lumens	• 1,680 Lumens
Efficient Lumens	• 1,280 Lumens
LED Count	• 4 x 5W High Powered Osram® LED's
Beam Coverage	• Flood Beam
Colour Temperature	• 5700 K
Housing Material	• Aluminium Housing
Lens Material	• Polycarbonate Lens
Dimensions	• 122mm L x 92mm H x 70mm D
Accessories	• Flush mount bracket & fittings

**BEAM COVERAGE**

