

QVEE
AUTOMOTIVE | MINING | MARINE

20W High Powered LED Worklight - Spot Beam
#QVWL20S

www.qvee.com.au

DESCRIPTION

The QVEE 20W high powered LED worklight has 4 x 5W Osram LED's, putting out a massive 1,680 lumens.

Heavy duty aluminium housing with a unique heatsink construction for heat dispersion and virtually unbreakable polycarbonate lens.

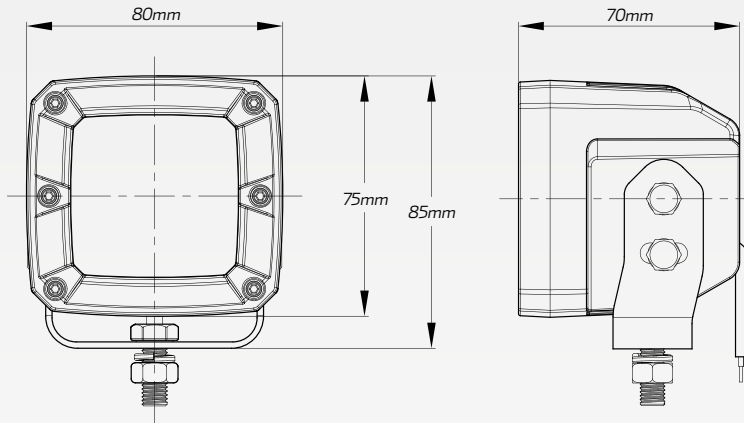
Fitted with a stainless steel mounting bracket. ECE Approved.



DIMENSIONS

IP67

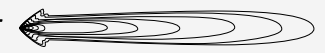
ECE R10



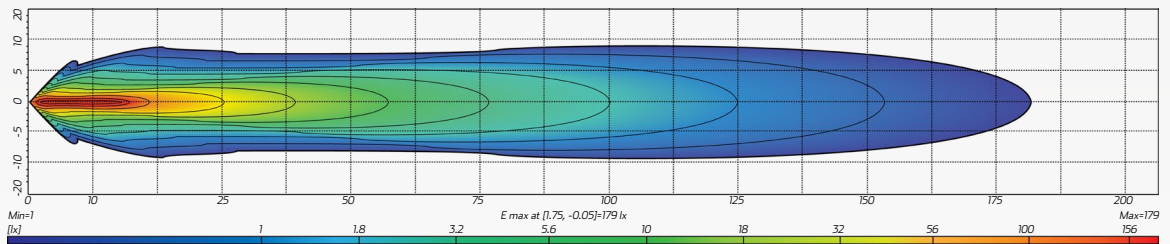
ACCESSORIES

- Stainless Steel Bracket & Fittings

SPOT



BEAM COVERAGE



TECHNICAL SPECIFICATIONS

Voltage	• 10 - 32 Volt DC	Beam Coverage	• Spot Beam
Wattage	• 20 Watt	Colour Temperature	• 5700 K
IP Rating	• IP67 Rated	Housing Material	• Aluminium Housing
Raw Lumens	• 1,680 Lumens	Lens Material	• Polycarbonate Lens
Effective Lumens	• 1,280 Lumens	Dimensions	• 80mm L x 85mm H x 70mm D
LED Count	• 4 x 5W High Powered Osram LED's	Accessories	• Stainless Steel Bracket & Fittings