

**QVEE**  
AUTOMOTIVE | MINING | MARINE

30W High Powered Square  
LED Worklight - Flood Beam  
#QVWL30WF

www.qvee.com.au



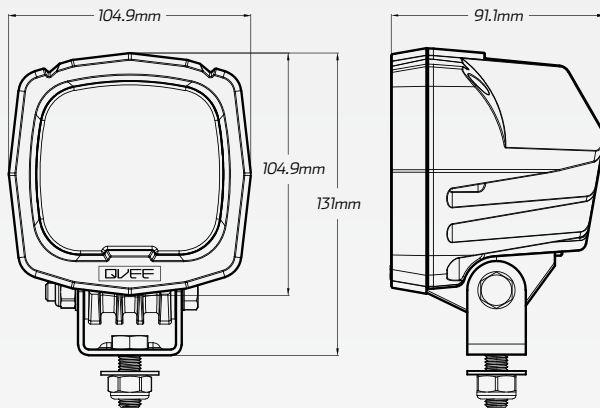
**DESCRIPTION**

The QVEE 30W high powered LED worklight has 6 x 5W high powered CREE LED's, putting out a huge 3,000 lumens.

Heavy duty die-cast housing, unique heatsink for heat dispersion and virtually unbreakable polycarbonate lens.

This high powered LED worklight will suit any heavy duty application and provide the ultimate in performance lighting.

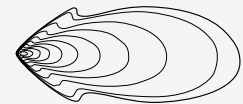
**DIMENSIONS**



**ACCESSORIES**

- Built-in DT Connector
- 304 Stainless Steel Brackets

**FLOOD**



**TECHNICAL SPECIFICATIONS**

<b>Voltage</b>	• 10 - 32 Volt / 30W
<b>IP Rating</b>	• IP69K Rated
<b>Lumens</b>	• Raw: 3,000lm / Effective: 2,200lm
<b>LED Count</b>	• 6 x 5W High Powered CREE® LED's
<b>Lens</b>	• Polycarbonate Lens
<b>Beam Coverage</b>	• Flood Beam
<b>Colour Temperature</b>	• 6000 K
<b>Accessories</b>	• 304 Stainless Steel Brackets • Built-in DT Connector
<b>Dimensions</b>	• 104.9mm L x 131mm H x 91.1mm D

**BEAM COVERAGE**

