

QVEE 40W Heavy Duty LED Worklight - Flood Beam
AUTOMOTIVE | MINING | MARINE #QVWL40FHD

www.qvee.com.au

DESCRIPTION

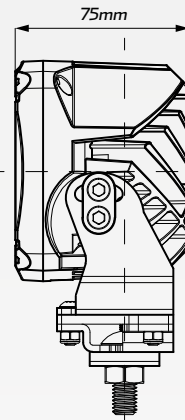
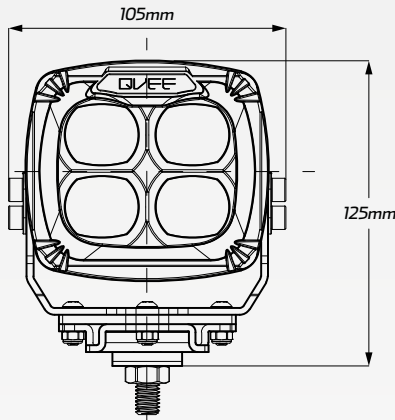
The QVEE 40W heavy duty LED worklight has 4 x 10W Osram P9 LED's, putting out a massive 4,800 lumens.

Heavy duty construction and mounting bracket. Designed for Australia's harsh conditions and suit the serious 4WD enthusiast, Transport, Mining or Agricultural applications.

Fitted with a waterproof DT2 connector and stainless steel fittings.



DIMENSIONS



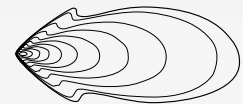
VIBRATION RESISTANT

IP69K

ACCESSORIES

- Heavy Duty Bracket
- Stainless Steel Fittings
- Connector's Matting Half

FLOOD



TECHNICAL SPECIFICATIONS

Voltage	• 9 - 32 Volt
Wattage	• 40 Watt
IP Rating	• IP69K Rated
Raw Lumens	• 4,800 Lumens
Efficient Lumens	• 4,000 Lumens
LED Count	• 4 x 10W High Powered Osram P9 LED's
Beam Coverage	• Flood Beam
Colour Temperature	• 5,500 K
Lens Material	• Tempered Glass
Dimensions	• 105mm L x 125mm H x 75mm D
Vibration Rating	• 15.6 G
Shock Rating	• 60 G

BEAM COVERAGE

