

**BLASTER
ELITE-40**

**40W Heavy Duty LED
Worklight - Spot Beam**

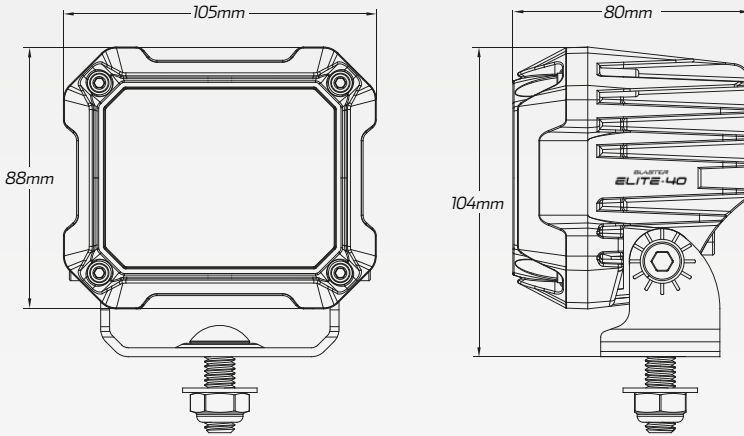
www.qvee.com.au

#QVWL40SHDE

DESCRIPTION

The QVEE 40W 'Blaster Elite' Worklight is an excellent heavy duty entry. These lights utilise high quality optics and high powered Osram® LED producing 4,000 Lumens, ensuring that your work area is always well illuminated.

Heavy duty aluminium housing with IP68/IP69K rating, vibration & shock resistant. The perfect companion of the more extreme avid 4 wheel drivers, Agricultural or site vehicles.



ACCESSORIES

- Mine Spec Mounting Brackets & Fittings



TECHNICAL SPECIFICATIONS

Voltage	• 10 - 32 Volt	Colour Temperature	• 5700 K
Wattage	• 40 Watt	Vibration Resistance	• 15.6G rms 24-2000Hz
IP Rating	• IP68/IP69K Rated	Shock Resistance	• 60G
Raw Lumens	• 4,000 Lumens	Housing Material	• Die-cast aluminium
Efficient Lumens	• 3,200 Lumens	Lens Material	• Polycarbonate Lens
LED Count	• 4 x 10W High Powered Osram® LED's	Dimensions	• 105mm L x 104mm H x 80mm D
Beam Coverage	• Spot Beam	Approvals	• EMC CISPRS 4, CE, RoHS, R10, R112

