

QVEE 40W Heavy Duty LED Worklight - Spot Beam
AUTOMOTIVE | MINING | MARINE #QVWL40SHD

www.qvee.com.au



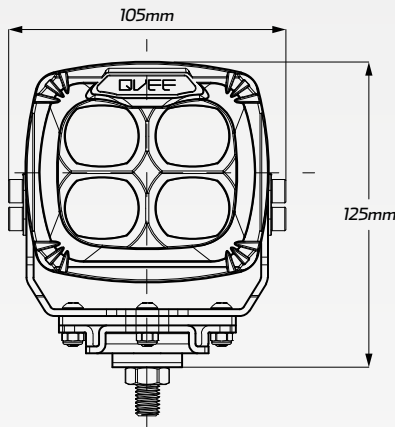
DESCRIPTION

The QVEE 40W heavy duty LED worklight has 4 x 10W Osram P9 LED's, putting out a massive 4,800 lumens.

Heavy duty construction and mounting bracket. Designed for Australia's harsh conditions and suit the serious 4WD enthusiast, Transport, Mining or Agricultural applications.

Fitted with a waterproof DT2 connector and stainless steel fittings.

DIMENSIONS



VIBRATION RESISTANT

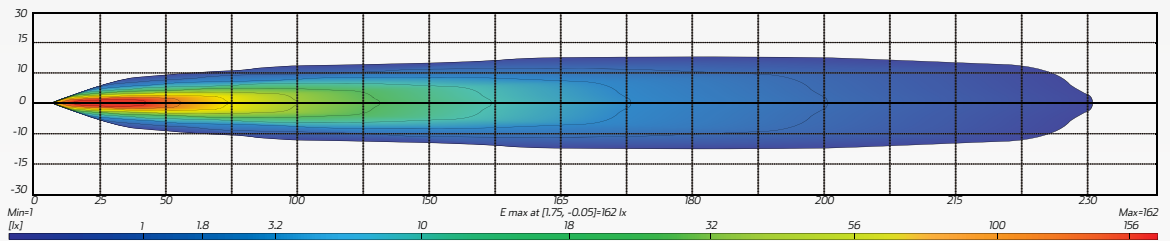
IP69K

ACCESSORIES

- Heavy Duty Bracket
- Stainless Steel Fittings
- Connector's Matting Half



BEAM COVERAGE



TECHNICAL SPECIFICATIONS

| | |
|------------------|---------------------------------------|
| Voltage | • 9 - 32 Volt |
| Wattage | • 40 Watt |
| IP Rating | • IP69K Rated |
| Raw Lumens | • 4,800 Lumens |
| Effective Lumens | • 4,000 Lumens |
| LED Count | • 4 x 10W High Powered Osram P9 LED's |

| | |
|--------------------|------------------------------|
| Beam Coverage | • Flood Beam |
| Colour Temperature | • 5,500 K |
| Lens Material | • Tempered Glass |
| Dimensions | • 105mm L x 125mm H x 75mm D |
| Vibration Rating | • 15.6 G |
| Shock Rating | • 60 G |