

QVEE
AUTOMOTIVE | MINING | MARINE

42W High Powered Square
LED Worklight - Flood Beam
#QVWL42WF

www.qvee.com.au



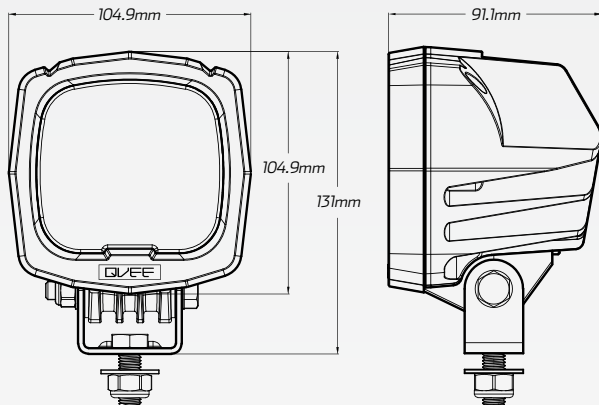
DESCRIPTION

The QVEE 42W high powered LED worklight has 6 x 7W high powered CREE LED's, putting out a huge 4,000 lumens.

Heavy duty die-cast housing, unique heatsink for heat dispersion and virtually unbreakable polycarbonate lens.

This high powered LED worklight will suit any heavy duty application and provide the ultimate in performance lighting.

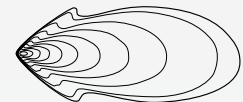
DIMENSIONS



ACCESSORIES

- Built-in DT Connector
- 304 Stainless Steel Brackets

FLOOD



TECHNICAL SPECIFICATIONS

| | |
|---------------------------|-----------------------------------------------------------|
| Voltage | • 9 - 60 Volt |
| IP Rating | • IP69K Rated |
| Lumens | • 4,000 Lumens - 42W |
| LED Count | • 6 x 7W High Powered CREE® LED's |
| Lens | • Polycarbonate Lens |
| Beam Coverage | • Flood Beam |
| Colour Temperature | • 6000 K |
| Accessories | • 304 Stainless Steel Brackets • Built-in DT Connector |
| Dimensions | • 104.9mm L x 131mm H x 91.1mm D |

BEAM COVERAGE

