

**BLASTER
ELITE-60**

60W Heavy Duty LED
Worklight - Flood Beam

www.qvee.com.au

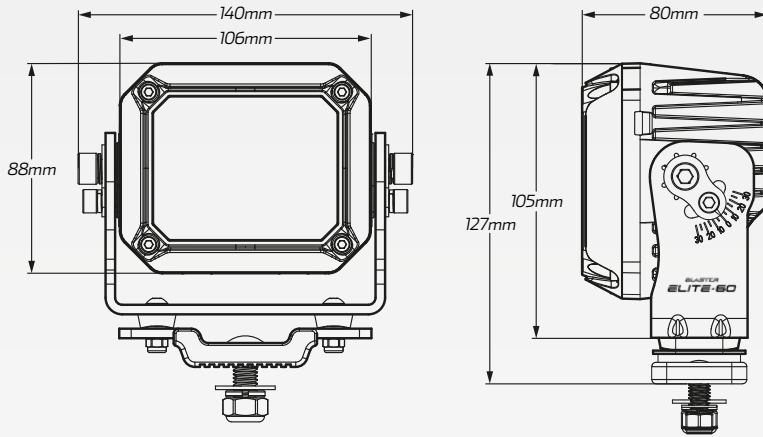
#QVWL60FHDE



DESCRIPTION

The QVEE 60W 'Blaster Elite' Worklight elevates your work area, providing brilliant 5,200 Lumens of flood beam lighting through its high quality Osram® LED's.

Accompanied with an IP68/IP69K rated housing which are vibration and shock resistant and a mine spec mounting bracket, you can guarantee that these worklight will always provide consistent illumination even in the harshest environments.



ACCESSORIES

- Mine Spec Mounting Brackets & Fittings



TECHNICAL SPECIFICATIONS

Voltage	• 10 - 32 Volt
Wattage	• 60 Watt
IP Rating	• IP68/IP69K Rated
Raw Lumens	• 5,200 Lumens
Effective Lumens	• 4,000 Lumens
LED Count	• 6 x 10W High Powered Osram® LED's
Beam Coverage	• Flood Beam
Colour Temperature	• 5700 K
Vibration Resistance	• 15G rms 24-2000Hz
Shock Resistance	• 60G
Housing Material	• Die-cast aluminium
Dimensions	• 140mm L x 127mm H x 80mm D
Approvals	• EMC CISPRs 4, CE, RoHS, R10, R112

BEAM COVERAGE

