

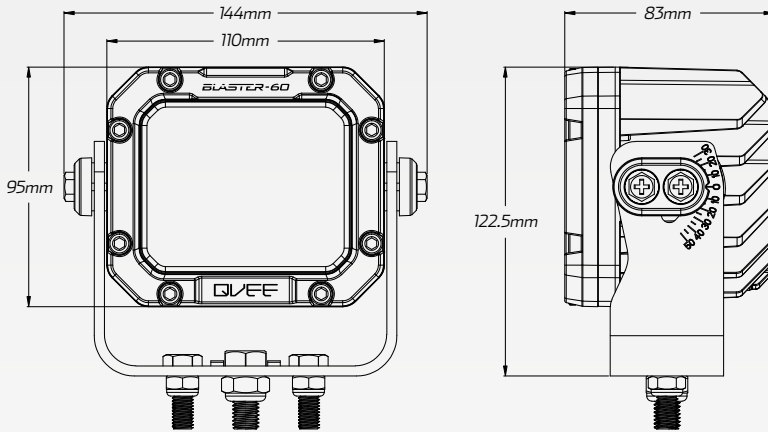
QVEE 60W Heavy Duty LED
Worklight - Spot Beam
BLASTER SERIES #QVWL60MSHD

www.qvee.com.au

DESCRIPTION

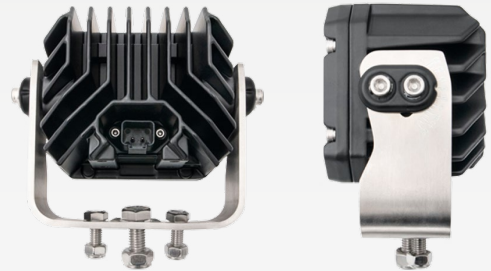
The QVEE 60W "Blaster" worklight gives a reliable illumination. Equipped with 6 x 10W high performance Osram® LED's, producing up to 6,000 Lumens, your work area will always be well illuminated.

Featuring IP69K rated housing & Ultra Heavy Duty mounting bracket. You can be confident that this light will take the punishment from the harsh mining, industrial & agricultural environments.



ACCESSORIES

- Heavy Duty Mounting Brackets & Fittings



TECHNICAL SPECIFICATIONS

| | | | |
|-------------------------|-------------------------------------|-----------------------------|--------------------------------------|
| Voltage | • 9 - 32 Volt | Colour Temperature | • 5700 K |
| Wattage | • 60 Watt | Vibration Resistance | • Up to 30G |
| IP Rating | • IP69K Rated | Housing Material | • ADC 12 Aluminium Housing |
| Raw Lumens | • 6,000 Lumens | Lens Material | • Polycarbonate Lens |
| Efficient Lumens | • 5,100 Lumens | Dimensions | • 144mm L x 122.5mm H x 83mm D |
| LED Count | • 6 x 10W High Powered Osram® LED's | Approvals | • EMC/EMI Rating: CISPR 25 - Class 4 |
| Beam Coverage | • Spot Beam | | |

