

**QVEE** 60W High Powered Oval  
LED Worklight - Flood Beam  
#QVWL60WFHD

www.qvee.com.au

**DESCRIPTION**

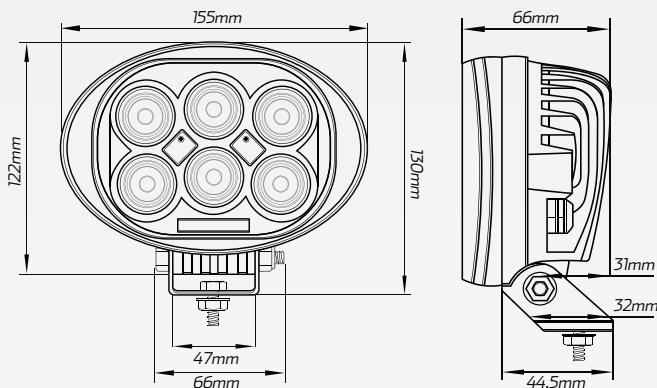
The QVEE 60W high powered LED worklight has 6 x 10W high powered CREE LED's, putting out a huge 6,000 lumens.

Heavy duty die-cast housing, unique heatsink for heat dispersion and virtually unbreakable polycarbonate lens.

Suits mining, transport, earthmoving, the serious 4WD enthusiasts or any heavy duty application where high illumination and reliability is a must.

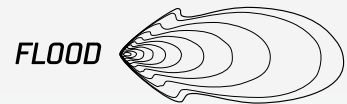


**DIMENSIONS**



**ACCESSORIES**

- DT Deutsch Plug Fitted
- Heavy Duty Stainless Steel Bracket



**TECHNICAL SPECIFICATIONS**

<b>Voltage</b>	• 9 - 32 Volt / 60W
<b>IP Rating</b>	• IP68 Rated
<b>Lumens</b>	• 6,000 lumens
<b>LED Count</b>	• 6 x 10W High Powered CREE® LED's
<b>Lens</b>	• Polycarbonate Lens
<b>Beam Coverage</b>	• Flood Beam
<b>Colour Temperature</b>	• 6000 K
<b>Dimensions</b>	• 155mm L x 130mm H x 66mm D
<b>Shock Rating</b>	• 60G
<b>Accessories</b>	• DT DEUTSCH Plug Connector • Heavy Duty (3mm) Stainless Steel Bracket

**BEAM COVERAGE**

