

QVEE 60W High Powered Oval LED Worklight - Flood Beam

#QVWL60WF

www.qvee.com.au

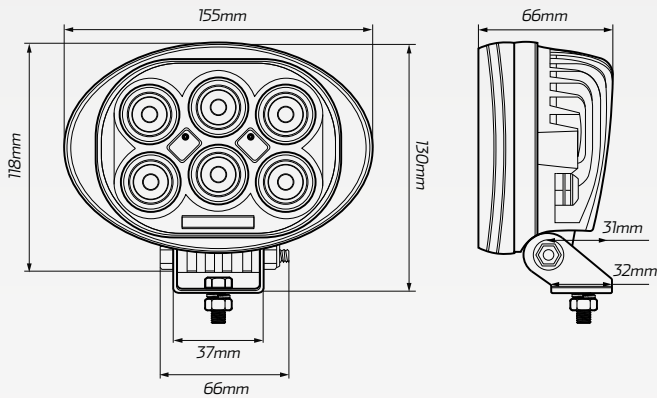
DESCRIPTION

The QVEE 60W high powered LED worklight has 6 x 10W high powered Osram LED's, putting out a huge 7,200 lumens. Heavy duty die-cast housing, unique heatsink for heat dispersion and virtually unbreakable polycarbonate lens.

Suits mining, transport, earthmoving, the serious 4WD enthusiast or any heavy duty application where high illumination and reliability is a must.



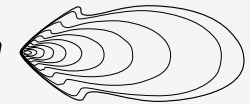
DIMENSIONS



ACCESSORIES

- 1 x DT Deutsch Connector
- Stainless Steel Brackets

FLOOD



TECHNICAL SPECIFICATIONS

Voltage	• 9 - 48 Volt / 60W
IP Rating	• IP68 Rated
Lumens	• Raw: 7,200Lm / Effective: 6,000Lm
LED Count	• 6 x 10W High Powered Osram® P9 LED's
Lens	• Polycarbonate Lens
Vibration Rating	• 15Grms 24-2000Hz
Shock Resistance	• 60G
Colour Temperature	• 6000 K
Accessories	• Stainless Steel Brackets • 1x DT DEUTSCH Connector
Dimensions	• 155mm L x 130mm H x 66mm D

BEAM COVERAGE

