

QVEE

AUTOMOTIVE | MINING | MARINE

www.qvee.com.au

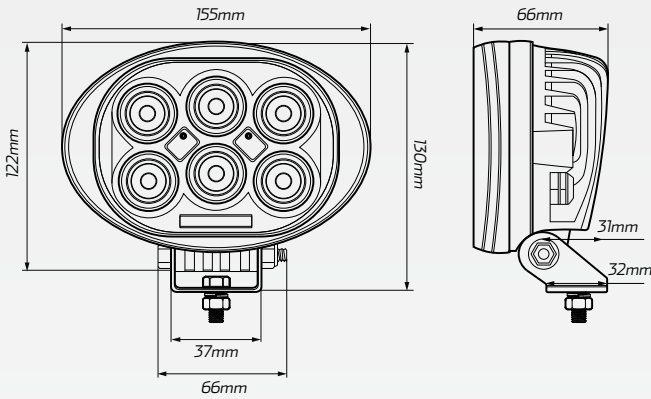
60W High Powered Oval
LED Worklight - Spot Beam

#QVWL60WS

DESCRIPTION

The QVEE 60W high powered LED worklight has 6 x 10W high powered Osram LED's, putting out a huge 7,200 lumens. Heavy duty die-cast housing, unique heatsink for heat dispersion and virtually unbreakable polycarbonate lens.

Suits mining, transport, earthmoving, the serious 4WD enthusiast or any heavy duty application where high illumination and reliability is a must

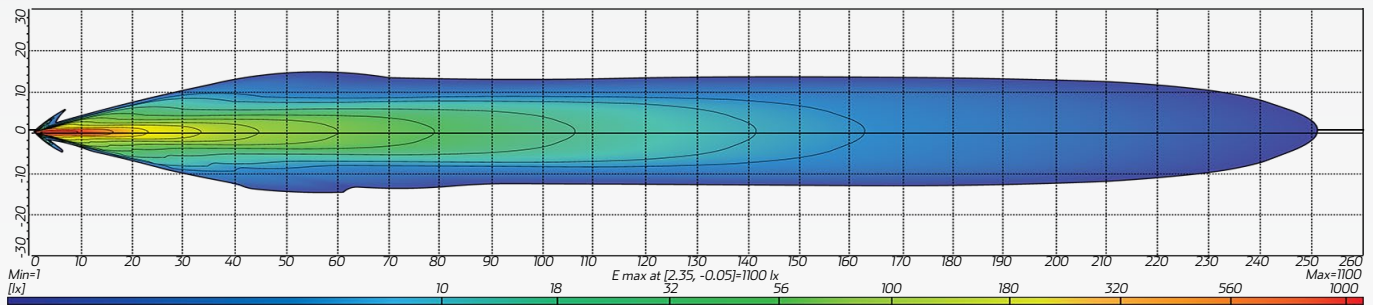


ACCESSORIES

- 1 x DT Deutsch Connector
- Stainless Steel Brackets



BEAM COVERAGE



TECHNICAL SPECIFICATIONS

Voltage	• 9 - 48 Volt / 60W
IP Rating	• IP68 Rated
Lumens	• Raw: 7,200Lm / Effective: 6,000Lm
LED Count	• 6 x 10W High Powered Osram® P9 LED's
Lens	• Polycarbonate Lens
Beam Coverage	• Spot Beam

Vibration Rating	• 15Grms 24-2000Hz
Shock Resistance	• 60G
Colour Temperature	• 6000 K
Accessories	• 1 x DT DEUTSCH Connector • Stainless Steel Brackets
Dimensions	• 155mm L x 130mm H x 66mm D