

**BLASTER  
ELITE-90**

90W Heavy Duty LED  
Worklight - Flood Beam

www.qvee.com.au

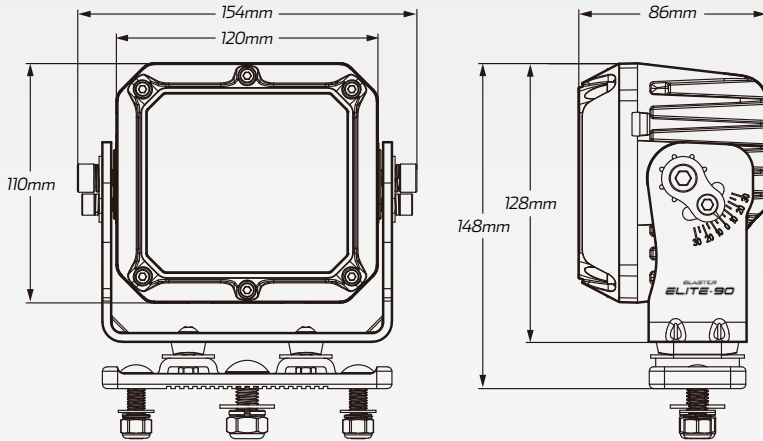
#QVWL90FHDE



**DESCRIPTION**

The QVEE 90W 'Blaster Elite' breaks the standards of worklights! Featuring the latest Osram® LED's producing a whopping 7,800 Lumens of Flood power consistently over your work zone.

Equipped with a rugged mine spec mounting bracket and IP68/IP69K rated, vibration & shock resistant housing able to withstand even the harshest conditions. The ultimate reliable for 4WD's, mining and agricultural.



**ACCESSORIES**

- Mine Spec Mounting Brackets & Fittings



**TECHNICAL SPECIFICATIONS**

Voltage	• 10 - 32 Volt
Wattage	• 90 Watt
IP Rating	• IP68/IP69K Rated
Raw Lumens	• 7,800 Lumens
Effective Lumens	• 7,000 Lumens
LED Count	• 9 x 10W High Powered Osram® LED's
Beam Coverage	• Flood Beam
Colour Temperature	• 5700 K
Vibration Resistance	• 15G rms 24-2000Hz
Shock Resistance	• 60G
Housing Material	• Die-cast aluminium
Dimensions	• 154mm L x 148mm H x 86mm D
Approvals	• EMC CISPRs 4, CE, RoHS, R10, R112

**BEAM COVERAGE**

